

# CHM Series

## HORIZONTAL MULTISTAGE PUMP



### OPERATING CONDITIONS

- This pump is applied for thin, clean, non-flammable, non-explosive, solid free, fiber free, physically and chemically water-like liquid.
- Liquid temperature:
  - 15°C to 70°C for the normal temperature type
  - 15°C to 105°C for the hot water type
- Ambient temp.: up to 40°C
- Max. working pressure: 10 bar
- The maximum inlet pressure are limited by the maximum working pressure.

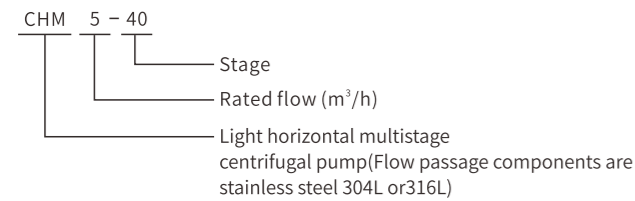
### APPLICATION

- CHM series pump is mainly used in industry:
- Air conditional system
- Coaling system
- Industrial cleaning
- Water treatment (Water purification)
- Aquaculture
- Fertilization/measuring system
- Environment application
- Other specific application

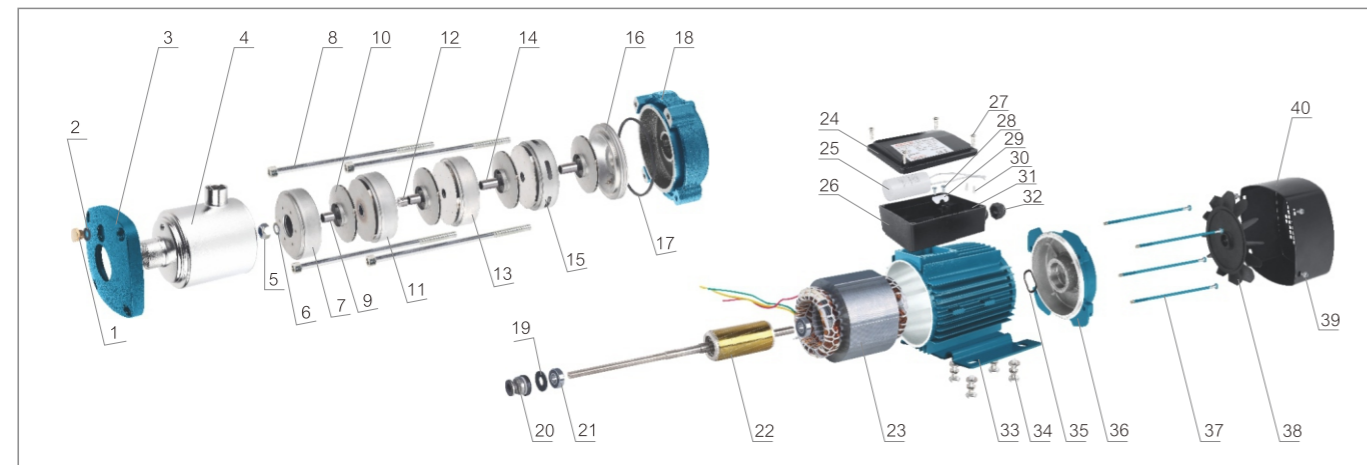
### MOTOR

- Motor efficiency: IE1, IE2, IE3
- TEFC, 2-pole motor;
- Protection class: IP55;
- Insulation class: F;
- Standard voltage: 50Hz 1x220V  
3x220V/380V  
3x380V
- Power of single-motor is 2.2kW

### IDENTIFICATION CODES



### MATERIALS TABLE



NO.	DESCRIPTION	NO.	DESCRIPTION	NO.	DESCRIPTION	NO.	DESCRIPTION
1	Air Plug	11	Supporting guide vane	21	Bearing	31	Terminal board
2	Washer for air plug	12	Tungsten bushing	22	Rotor with shaft	32	Sleeve
3	Pump cover	13	Guide vane	23	Stator with windings	33	Motor Foot
4	Pump Body	14	Sleeve	24	Terminal box cover	34	Screw 04
5	Fastening nut	15	Outlet guide vane	25	Capacitor	35	Adjusting ring
6	Flat washer	16	back supporting plate	26	Terminal box base	36	Motor Back Cover
7	Inlet guide vane	17	'O' Ring for front cover	27	Screw 01	37	Motor Through Bolt
8	Bolt	18	Front cover	28	Screw 02	38	Fan
9	Impeller gland	19	Oil seal	29	Cable ramp	39	Screw 05
10	Impeller	20	Mechanical Seal	30	Screw 03	40	Fan cover

### CHM TECHNICAL DATA

Model	Rated flow (m <sup>3</sup> /h)	H.max (m)	Stages	Rate Power (kW)	Port Size	Motor Frame	MOQ / Kraft carton pcs
CHM1-20	1	10.6	2	0.25	1"x1"	71#	200
CHM1-30	1	16	3	0.25	1"x1"	71#	200
CHM1-40	1	21.2	4	0.37	1"x1"	71#	200
CHM1-50	1	26.5	5	0.37	1"x1"	71#	200
CHM1-60	1	31.5	6	0.37	1"x1"	71#	200
CHM1-70	1	37	7	0.55	1"x1"	71#	200
CHM1-80	1	42.5	8	0.55	1"x1"	71#	200
CHM2-20	2	14	2	0.25	1"x1"	71#	200
CHM2-30	2	21	3	0.37	1"x1"	71#	200
CHM2-40	2	28	4	0.55	1"x1"	71#	200
CHM2-50	2	35	5	0.55	1"x1"	71#	200
CHM2-60	2	42	6	0.75	1"x1"	71#	200
CHM2-70	2	49	7	0.75	1"x1"	71#	200
CHM2-80	2	56	8	1	1"x1"	71#	200
CHM3-20	3	11	2	0.25	1"x1"	71#	200
CHM3-30	3	17	3	0.37	1"x1"	71#	200
CHM3-40	3	23	4	0.55	1"x1"	71#	200
CHM3-50	3	29	5	0.55	1"x1"	71#	200
CHM3-60	3	35	6	0.75	1"x1"	71#	200
CHM3-70	3	41	7	0.75	1"x1"	71#	200
CHM3-80	3	47	8	1	1"x1"	71#	200
CHM4-20	4	15	2	0.37	1.25"x1"	71#	200
CHM4-30	4	22	3	0.55	1.25"x1"	71#	200
CHM4-40	4	30	4	0.75	1.25"x1"	71#	200
CHM4-50	4	38	5	1	1.25"x1"	71#	200
CHM4-60	4	45	6	1.1	1.25"x1"	71#	200
CHM4-70	4	53	7	1.5	1.25"x1"	80#	100
CHM5-20	5	11.5	2	0.37	1.25"x1"	71#	200
CHM5-30	5	17.5	3	0.55	1.25"x1"	71#	200
CHM5-40	5	24	4	0.75	1.25"x1"	71#	200
CHM5-50	5	30	5	1	1.25"x1"	71#	200
CHM5-60	5	37	6	1.1	1.25"x1"	71#	200
CHM5-70	5	42.5	7	1.5	1.25"x1"	80#	100
CHM8-10	8	10	1	0.55	1.5"x1.5"	80#	100
CHM8-20	8	18	2	0.75	1.5"x1.5"	80#	100
CHM8-30	8	26	3	1.1	1.5"x1.5"	80#	100
CHM8-40	8	34	4	1.5	1.5"x1.5"	90#	50
CHM8-50	8	42	5	2.2	1.5"x1.5"	90#	50
CHM10-10	10	8	1	0.75	1.5"x1.5"	80#	100
CHM10-20	10	12	2	0.75	1.5"x1.5"	80#	100
CHM10-30	10	22	3	1.1	1.5"x1.5"	80#	100
CHM10-40	10	31.5	4	1.5	1.5"x1.5"	90#	50
CHM10-50	10	39.5	5	2.2	1.5"x1.5"	90#	50
CHM12-10	12	9.5	1	0.75	1.5"x1.5"	80#	100
CHM12-20	12	19.5	2	1.1	1.5"x1.5"	80#	100
CHM12-30	12	29.5	3	1.85	1.5"x1.5"	90#	50
CHM12-40	12	39.5	4	2.2	1.5"x1.5"	90#	50
CHM12-50	12	50	5	3	1.5"x1.5"	100#	50
CHM16-10	16	10	1	1.1	2"x2"	80#	100
CHM16-20	16	20	2	1.5	2"x2"	90#	50
CHM16-30	16	30	3	2.2	2"x2"	90#	50
CHM16-40	16	40	4	3	2"x2"	100#	50
CHM20-10	20	10.5	1	1.1	2"x2"	80#	100
CHM20-20	20	20	2	1.85	2"x2"	90#	50
CHM20-30	20	31.5	3	3	2"x2"	100#	50
CHM20-40	20	40	4	4	2"x2"	100#	50