

CH Series

HORIZONTAL MULTISTAGE PUMP



APPLICATION

- It is applicable to household water supply, equipment support, pipeline pressurization, garden watering, vegetable greenhouse watering, fish farming and poultry raising, industrial and mining, water supply and drainage of enterprises and high-rise buildings, central air conditioner and centralized heating circulation system, etc

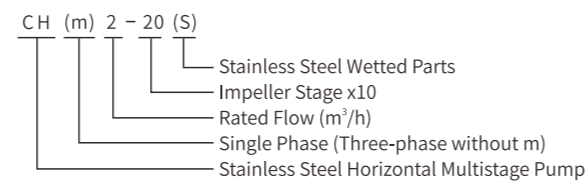
PUMP

- AISI 304 shaft
- Max.liquid temperature:+85°C
- Altitude: up to 1000 m
- Max.suction: 8 m
- Max.inlet pressure: limited by max.operating pressure
- Max.operation pressure: 10 bar
- Liquid PH Value: 4-10

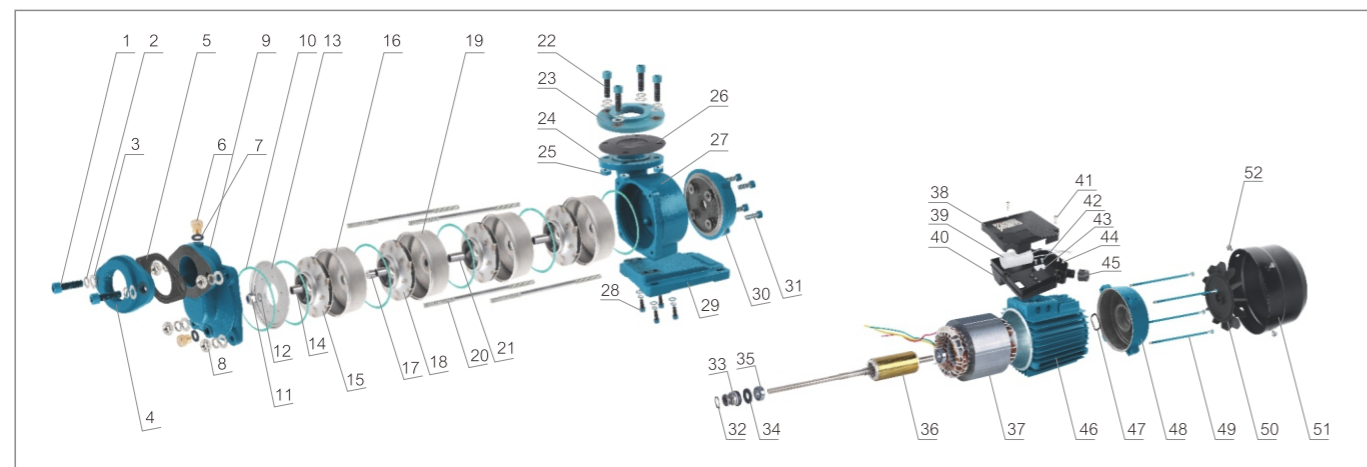
MOTOR

- Motor efficiency: IE1,IE2/IE3
- Motor with copper winding
- Built-in thermal protector for single phase motor
- Insulation class: F
- Protection class: P55
- Max ambient temperature:+40°C

IDENTIFICATION CODES

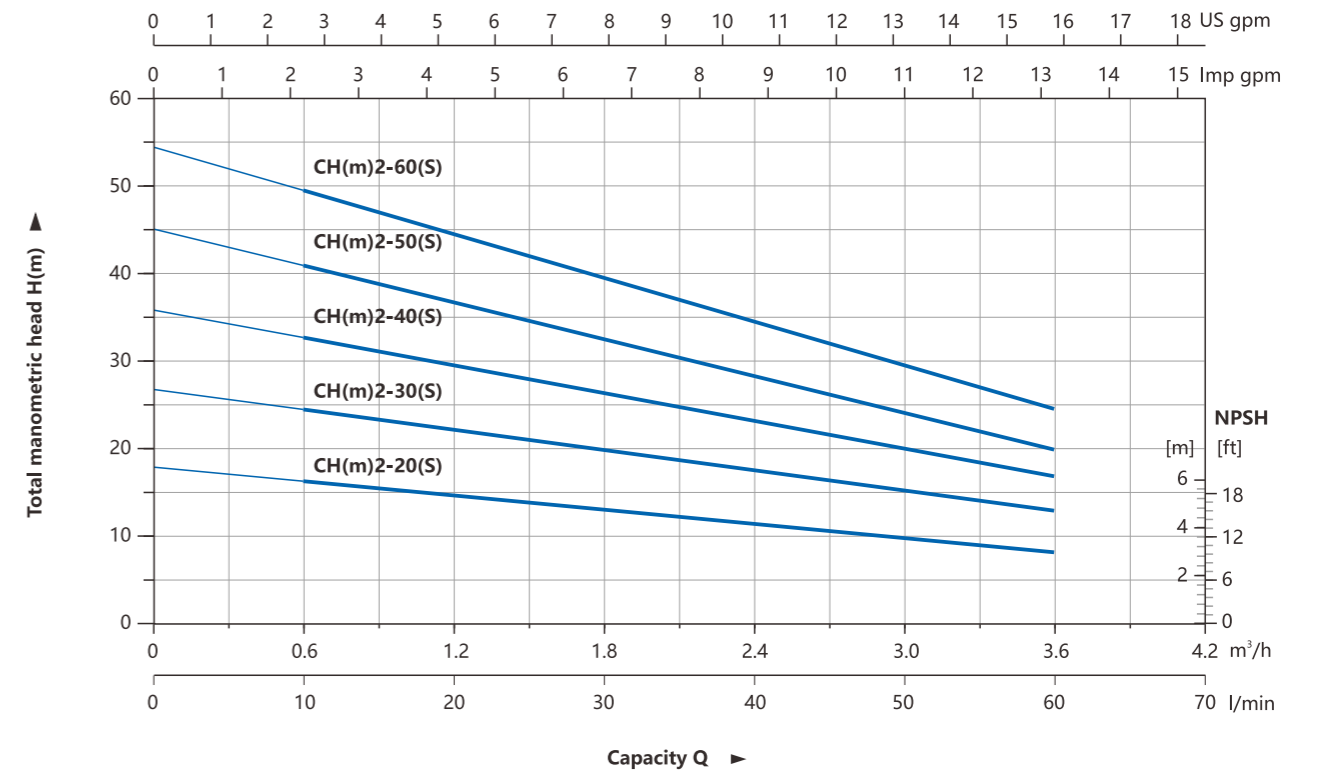


MATERIALS TABLE



NO.	DESCRIPTION	NO.	DESCRIPTION	NO.	DESCRIPTION	NO.	DESCRIPTION	NO.	DESCRIPTION	NO.	DESCRIPTION
1	Bolt 01	11	Anti-skid nut	21	Tungsten bushing	31	Bolt 05	41	Screw 01	51	Fan cover
2	Spring washer	12	Washer 02	22	Bolt 03	32	Shaft retaining ring	42	Screw 02	52	Screw 03
3	Washer 01	13	Inlet diffuser	23	Flange connector	33	Mechanical seal	43	Cable ramp		
4	Flange connector	14	Impeller gland	24	Washer 03	34	Water ring	44	Terminal board		
5	Gasket seal	15	Impeller	25	Nut	35	Bearing	45	Sleeve		
6	Air plug	16	Guide vane	26	Seal gasket	36	Rotor with shaft	46	Motor housing		
7	Gasket for air plug	17	Sleeve	27	Back cover	37	Stator with windings	47	Adjusting ring		
8	Nut	18	Impeller	28	Bolt 04	38	Terminal box cover	48	Motor Back cover		
9	Pump cover	19	Supporting guide vane	29	Motor foot	39	Capacitor	49	Bolt 06		
10	Gasket	20	Bolt 02	30	Front cover	40	Terminal box base	50	Fan		

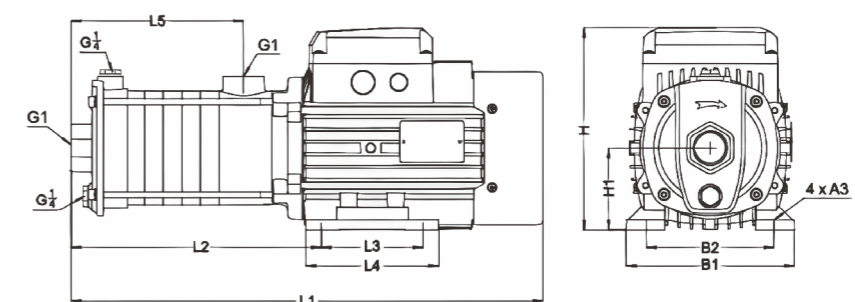
HYDRAULIC PERFORMANCE CURVES



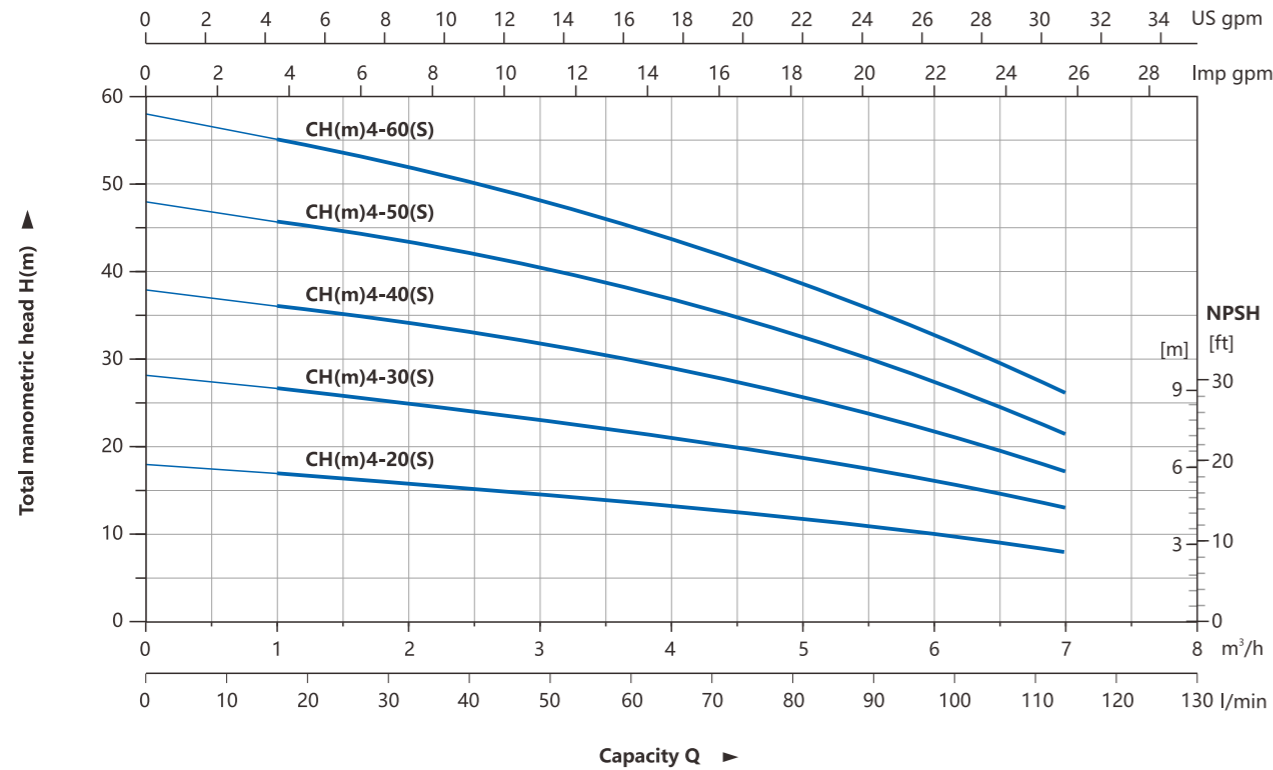
TECHNICAL DATA

Model	Power		Q(m ³ /h) Q (l/min)	0.6	1.2	1.8	2.4	3.0	3.6
	kW	HP		10	20	30	40	50	60
CH(m)2-20(S)	0.37	0.5		16	15	13	12	10	8
CH(m)2-30(S)	0.37	0.5		24	22	20	18	16	12
CH(m)2-40(S)	0.55	0.75	m	33	30	26	24	21	16
CH(m)2-50(S)	0.55	0.75		40	37	33	30	24	19
CH(m)2-60(S)	0.75	1.0		50	45	40	36	30	23

OVERALL & INSTALLATION DIMENSIONS



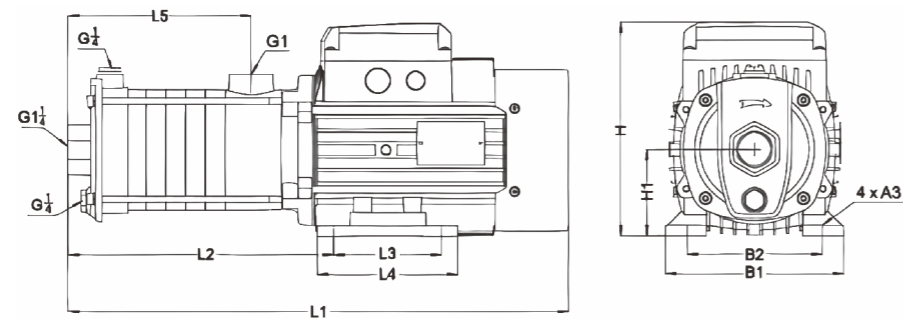
Model	L1	L2	L3	L4	L5	B1	B2	H	H1	A3	GW (Kgs)	LxWxH (mm)	MOQ Kraft carton pcs
CH(m)2-20(S)	344.5	165.5	90	110	98.5	137	109	176.5	71	∅7	11.5	420x215x243	100
CH(m)2-30(S)	362.5	183.5	90	110	116.5	137	109	176.5	71	∅7	11.8	420x215x243	100
CH(m)2-40(S)	380.5	201.5	90	100	134.5	137	109	176.5	71	∅7	13.2	420x215x243	100
CH(m)2-50(S)	399.5	220.5	90	110	153.5	137	109	176.5	71	∅7	13.7	455x215x243	100
CH(m)2-60(S)	417.5	238.5	90	110	171.5	137	109	176.5	71	∅7	14.6	455x215x243	100



TECHNICAL DATA

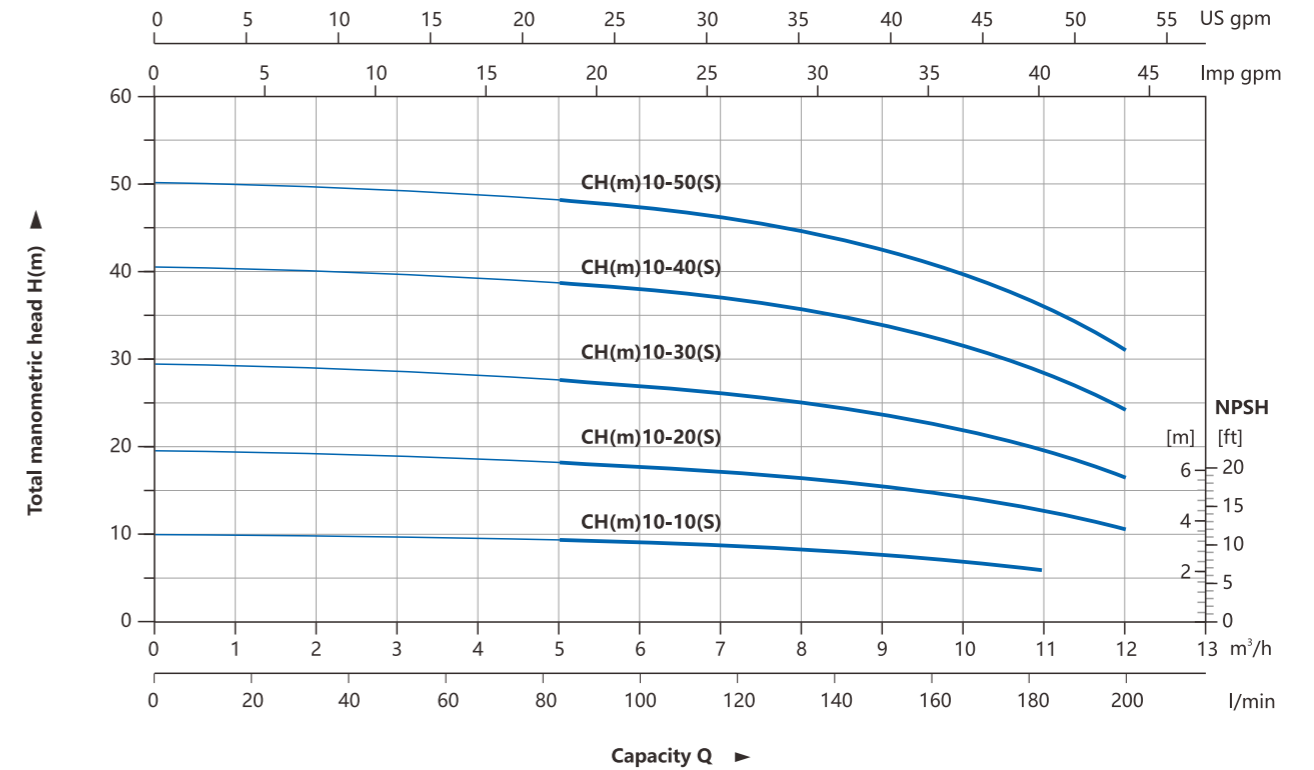
Model	Power		Q(m³/h) Q (l/min)	1	2	3	4	5	6	7
	kW	HP		17	33	50	67	83	100	117
CH(m)4-20(S)	0.55	0.75		17	16	15	13	12	10	8
CH(m)4-30(S)	0.55	0.75		27	25	23	21	19	16	13
CH(m)4-40(S)	0.75	1.0	m	36	34	32	28	26	22	17
CH(m)4-50(S)	1.1	1.5		46	43	40	36	33	28	21
CH(m)4-60(S)	1.1	1.5		55	52	48	43	39	33	26

OVERALL & INSTALLATION DIMENSIONS



Model	L1	L2	L3	L4	L5	B1	B2	H	H1	A3	GW (Kgs)	LxWxH (mm)	MOQ Kraft carton pcs
CH(m)4-20(S)	354	175.5	90	110	108.5	137	109	176.5	71	∅7	13.1	420x215x243	100
CH(m)4-30(S)	381.5	203	90	110	136	137	109	176.5	71	∅7	13.6	420x215x243	100
CH(m)4-40(S)	408.5	230	90	110	163	137	109	176.5	71	∅7	14.7	455x215x243	100
CH(m)4-50(S)	484	266	100	130	190	165	125	204.5	80	∅10	21.5	548x235x268	100
CH(m)4-60(S)	511.5	293.5	100	130	217.5	165	125	204.5	80	∅10	22	548x235x268	100

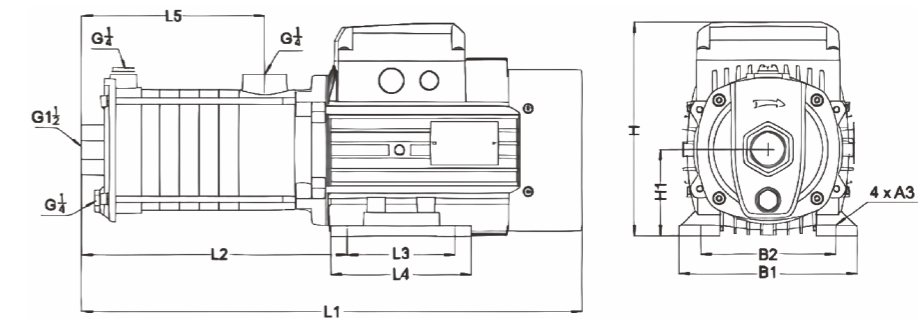
HYDRAULIC PERFORMANCE CURVES



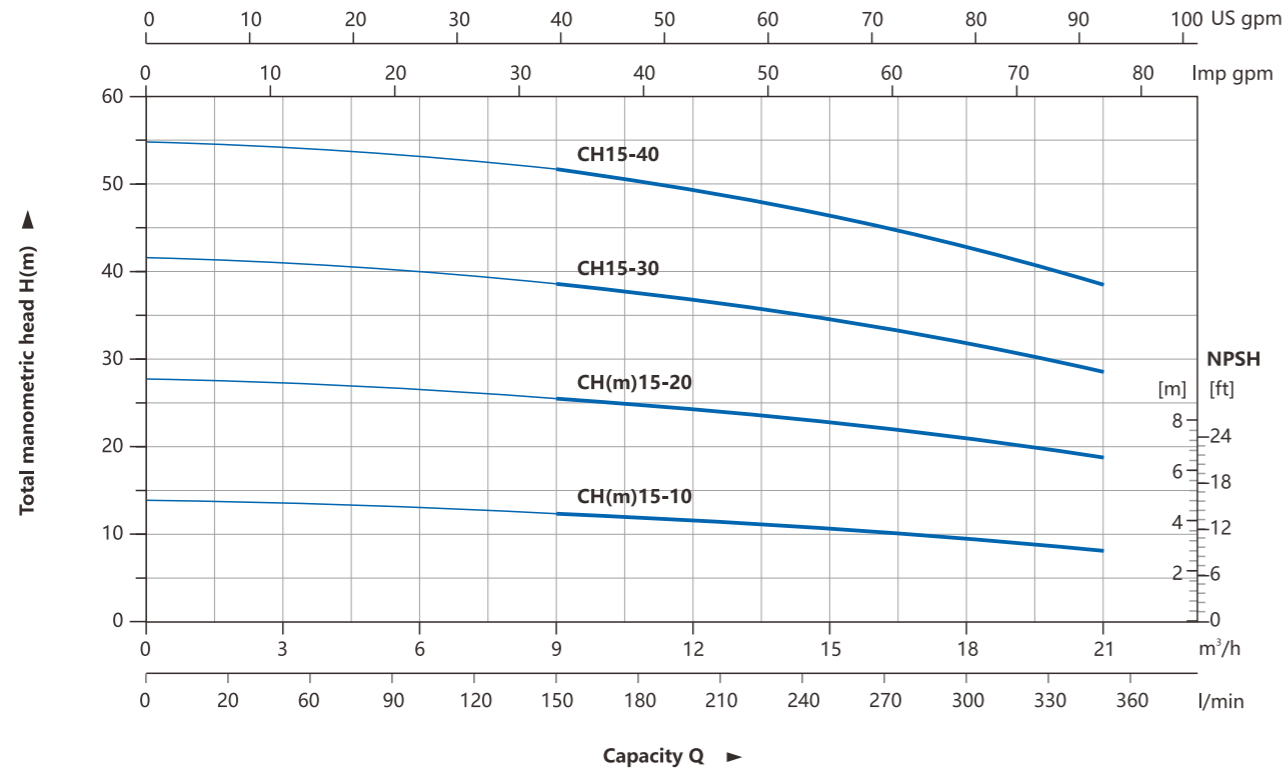
TECHNICAL DATA

Model	Power		Q(m³/h) Q (l/min)	6	7	8	9	10	11	12
	kW	HP		100	117	133	150	167	183	200
CH(m)10-10(S)	0.75	1.0		9.1	8.7	8.2	7.7	6.8	5.8	
CH(m)10-20(S)	0.75	1.0		17.9	17.1	16.3	15.3	14	12.5	10.6
CH(m)10-30(S)	1.1	1.5	m	27.1	26.3	24.9	23.4	21.4	19.3	16.9
CH(m)10-40(S)	1.5	2.0		38.6	37.6	35.9	33.9	31.2	28.2	24.6
CH(m)10-50(S)	2.2	3.0		47.8	46.4	44.4	42.2	39.5	35.9	31.1

OVERALL & INSTALLATION DIMENSIONS



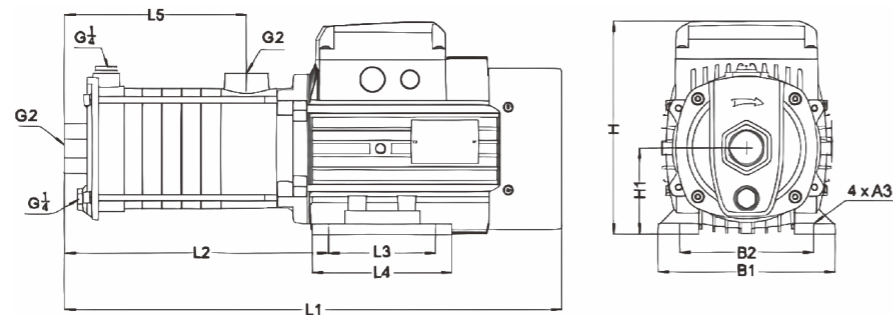
Model	L1	L2	L3	L4	L5	B1	B2	H	H1	A3	GW (Kgs)	LxWxH (mm)	MOQ Kraft carton pcs
CH(m)10-10(S)	430	212	100	130	121	165	125	204.5	80	∅10	20.7	503x235x268	100
CH(m)10-20(S)	430	212	100	130	121	165	125	204.5	80	∅10	20.8	503x235x268	100
CH(m)10-30(S)	460.5	242.5	100	130	151.5	165	125	504.5	80	∅10	21.9	503x235x268	100
CH(m)10-40(S)	549.5	261.5	125	150	182	180	140	217.5	90	∅10	28.2	618x245x283	100
CH(m)10-50(S)	579.5	291.5	125	150	212	180	140	217.5	90	∅10	30.6	618x245x283	50



TECHNICAL DATA

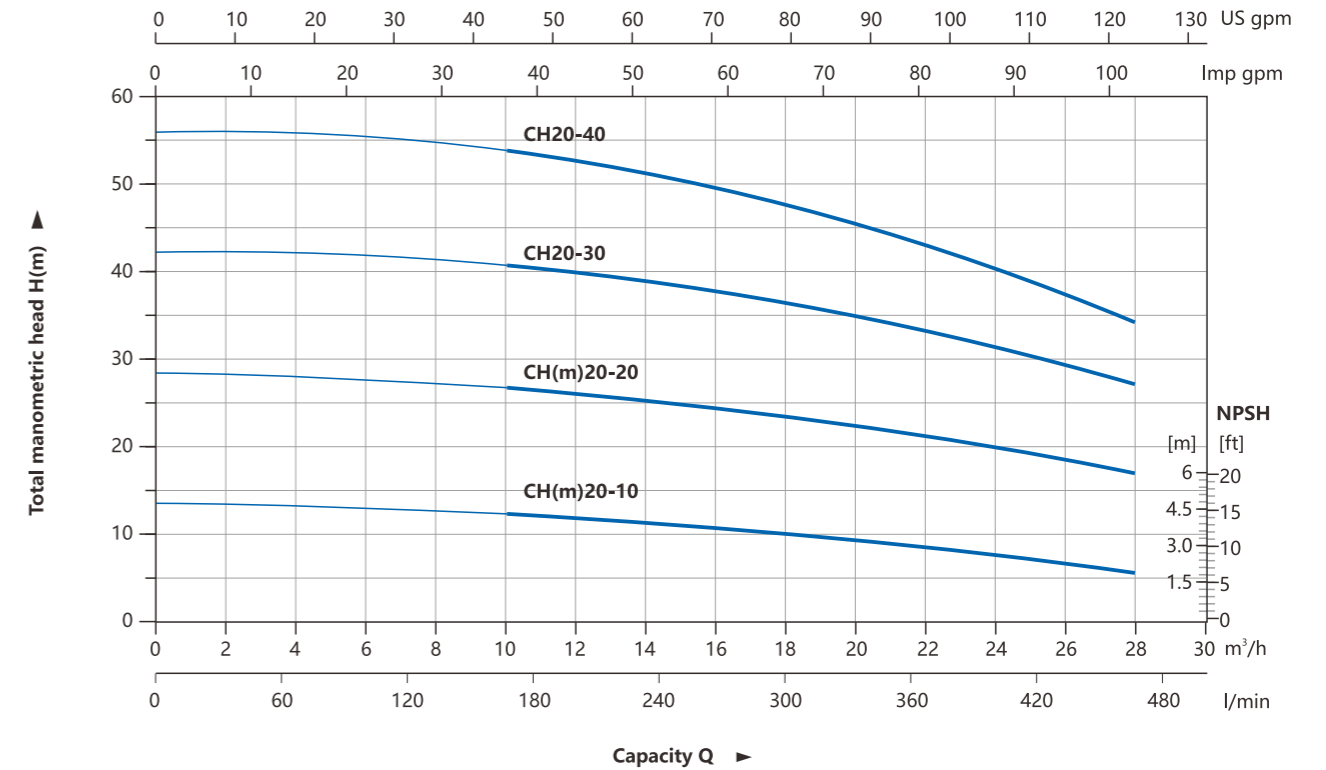
Model	Power		Q(m³/h) Q (l/min)	9	12	15	18	21
	kW	HP		H (m)	150	200	250	300
CH(m)15-10	1.1	1.5		12.4	11.6	10.6	9.4	8.2
CH(m)15-20	2.2	3		25.6	24.1	22.7	21.1	18.8
CH15-30	3.0	4		38.7	36.9	34.9	31.9	28.5
CH15-40	4.0	5.5		51.8	49.7	46.8	42.9	38.3

OVERALL & INSTALLATION DIMENSIONS



Model	L1	L2	L3	L4	L5	B1	B2	H	H1	A3	GW (Kgs)	LxWxH (mm)	MOQ Kraft carton pcs
CH(m)15-10	451	233.5	100	130	139.5	165	125	204.5	80	∅10	22.7	503x235x268	100
CH(m)15-20	510	222	125	150	139.5	180	140	217.5	90	∅10	30.3	557x245x283	50
CH15-30	560	272	125	150	189.5	180	140	247.5	90	∅10	32.2	618x245x283	50
CH15-40	616	336.5	140	180	230	205	160	224.5	100	∅12	39.6	687x245x290	50

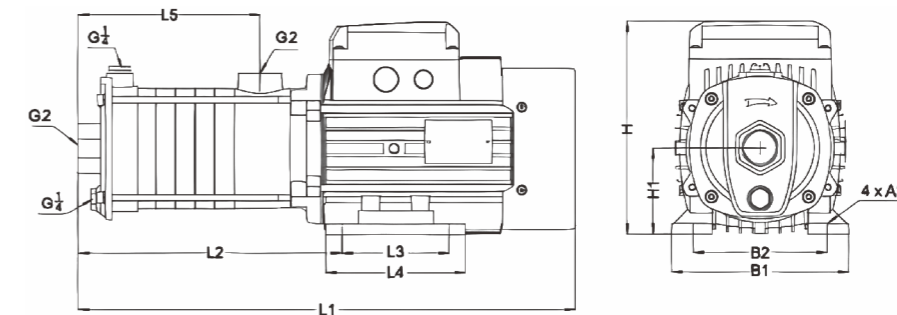
HYDRAULIC PERFORMANCE CURVES



TECHNICAL DATA

Model	Power		Q(m³/h) Q (l/min)	12	16	20	24	28
	kW	HP		H (m)	200	267	333	400
CH(m)20-10	1.1	1.5		12.1	10.8	9.5	7.8	5.7
CH(m)20-20	2.2	3		26.1	24.4	22.4	19.8	17.2
CH20-30	4.0	5.5		39.9	38.0	35.5	31.4	26.9
CH20-40	4.0	5.5		52.7	50.1	45.9	40.3	34.0

OVERALL & INSTALLATION DIMENSIONS



Model	L1	L2	L3	L4	L5	B1	B2	H	H1	A3	GW (Kgs)	LxWxH (mm)	MOQ Kraft carton pcs
CH(m)20-10	451	233.5	100	130	139.5	165	125	204.5	80	∅10	22.7	503x235x268	50
CH(m)20-20	510	222	125	150	139.5	180	140	217.5	90	∅10	30.3	557x245x283	50
CH20-30	570.5	291	140	180	184.5	205	160	224.5	100	∅12	38.9	687x245x290	50
CH20-40	616	336.5	140	180	230	205	160	224.5	100	∅12	39.4	687x245x290	50