

# CHM Series

## HORIZONTAL MULTISTAGE PUMP



### OPERATING CONDITIONS

- This pump is applied for thin, clean, non-flammable, non-explosive, solid free, fiber free, physically and chemically water-like liquid.
- Liquid temperature:
  - 15°C to 70°C for the normal temperature type
  - 15°C to 105°C for the hot water type
- Ambient temp.: up to 40°C
- Max. working pressure: 10 bar
- The maximum inlet pressure are limited by the maximum working pressure.

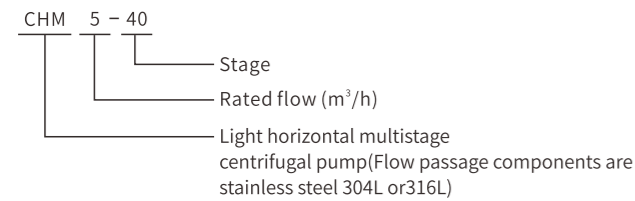
### APPLICATION

- CHM series pump is mainly used in industry:
- Air conditional system
- Coaling system
- Industrial cleaning
- Water treatment (Water purification)
- Aquaculture
- Fertilization/measuring system
- Environment application
- Other specific application

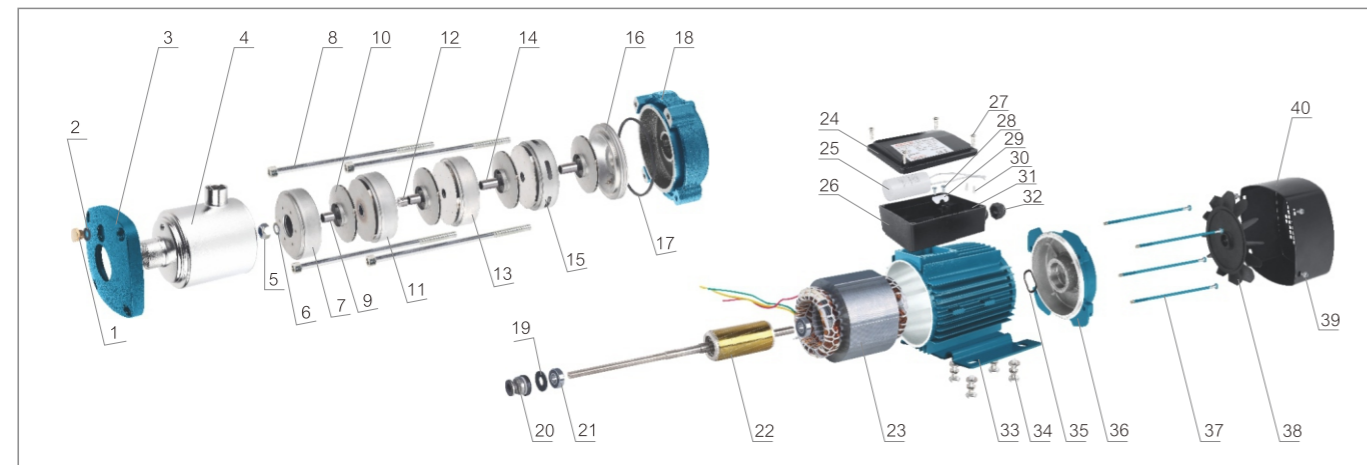
### MOTOR

- Motor efficiency: IE1, IE2, IE3
- TEFC, 2-pole motor;
- Protection class: IP55;
- Insulation class: F;
- Standard voltage: 60Hz 1x220V  
3x220V/380V  
3x380V
- Power of single-motor is 2.2kW

### IDENTIFICATION CODES



### MATERIALS TABLE



| NO. | DESCRIPTION         | NO. | DESCRIPTION              | NO. | DESCRIPTION          | NO. | DESCRIPTION        |
|-----|---------------------|-----|--------------------------|-----|----------------------|-----|--------------------|
| 1   | Air Plug            | 11  | Supporting guide vane    | 21  | Bearing              | 31  | Terminal board     |
| 2   | Washer for air plug | 12  | Tungsten bushing         | 22  | Rotor with shaft     | 32  | Sleeve             |
| 3   | Pump cover          | 13  | Guide vane               | 23  | Stator with windings | 33  | Motor Foot         |
| 4   | Pump Body           | 14  | Sleeve                   | 24  | Terminal box cover   | 34  | Screw 04           |
| 5   | Fastening nut       | 15  | Outlet guide vane        | 25  | Capacitor            | 35  | Adjusting ring     |
| 6   | Flat washer         | 16  | back supporting plate    | 26  | Terminal box base    | 36  | Motor Back Cover   |
| 7   | Inlet guide vane    | 17  | 'O' Ring for front cover | 27  | Screw 01             | 37  | Motor Through Bolt |
| 8   | Bolt                | 18  | Front cover              | 28  | Screw 02             | 38  | Fan                |
| 9   | Impeller gland      | 19  | Oil seal                 | 29  | Cable ramp           | 39  | Screw 05           |
| 10  | Impeller            | 20  | Mechanical Seal          | 30  | Screw 03             | 40  | Fan cover          |

### CHM TECHNICAL DATA

| Model    | Rated flow (m <sup>3</sup> /h) | H.max (m) | Stages | Rate Power (kW) | Port Size | Motor Frame | MOQ / Kraft carton pcs |
|----------|--------------------------------|-----------|--------|-----------------|-----------|-------------|------------------------|
| CHM1-20  | 1                              | 10.6      | 2      | 0.25            | 1"x1"     | 71#         | 200                    |
| CHM1-30  | 1                              | 16        | 3      | 0.25            | 1"x1"     | 71#         | 200                    |
| CHM1-40  | 1                              | 21.2      | 4      | 0.37            | 1"x1"     | 71#         | 200                    |
| CHM1-50  | 1                              | 26.5      | 5      | 0.37            | 1"x1"     | 71#         | 200                    |
| CHM1-60  | 1                              | 31.5      | 6      | 0.37            | 1"x1"     | 71#         | 200                    |
| CHM1-70  | 1                              | 37        | 7      | 0.55            | 1"x1"     | 71#         | 200                    |
| CHM1-80  | 1                              | 42.5      | 8      | 0.55            | 1"x1"     | 71#         | 200                    |
| CHM2-20  | 2                              | 14        | 2      | 0.25            | 1"x1"     | 71#         | 200                    |
| CHM2-30  | 2                              | 21        | 3      | 0.37            | 1"x1"     | 71#         | 200                    |
| CHM2-40  | 2                              | 28        | 4      | 0.55            | 1"x1"     | 71#         | 200                    |
| CHM2-50  | 2                              | 35        | 5      | 0.55            | 1"x1"     | 71#         | 200                    |
| CHM2-60  | 2                              | 42        | 6      | 0.75            | 1"x1"     | 71#         | 200                    |
| CHM2-70  | 2                              | 49        | 7      | 0.75            | 1"x1"     | 71#         | 200                    |
| CHM2-80  | 2                              | 56        | 8      | 1               | 1"x1"     | 71#         | 200                    |
| CHM3-20  | 3                              | 11        | 2      | 0.25            | 1"x1"     | 71#         | 200                    |
| CHM3-30  | 3                              | 17        | 3      | 0.37            | 1"x1"     | 71#         | 200                    |
| CHM3-40  | 3                              | 23        | 4      | 0.55            | 1"x1"     | 71#         | 200                    |
| CHM3-50  | 3                              | 29        | 5      | 0.55            | 1"x1"     | 71#         | 200                    |
| CHM3-60  | 3                              | 35        | 6      | 0.75            | 1"x1"     | 71#         | 200                    |
| CHM3-70  | 3                              | 41        | 7      | 0.75            | 1"x1"     | 71#         | 200                    |
| CHM3-80  | 3                              | 47        | 8      | 1               | 1"x1"     | 71#         | 200                    |
| CHM4-20  | 4                              | 15        | 2      | 0.37            | 1.25"x1"  | 71#         | 200                    |
| CHM4-30  | 4                              | 22        | 3      | 0.55            | 1.25"x1"  | 71#         | 200                    |
| CHM4-40  | 4                              | 30        | 4      | 0.75            | 1.25"x1"  | 71#         | 200                    |
| CHM4-50  | 4                              | 38        | 5      | 1               | 1.25"x1"  | 71#         | 200                    |
| CHM4-60  | 4                              | 45        | 6      | 1.1             | 1.25"x1"  | 71#         | 200                    |
| CHM4-70  | 4                              | 53        | 7      | 1.5             | 1.25"x1"  | 80#         | 100                    |
| CHM5-20  | 5                              | 11.5      | 2      | 0.37            | 1.25"x1"  | 71#         | 200                    |
| CHM5-30  | 5                              | 17.5      | 3      | 0.55            | 1.25"x1"  | 71#         | 200                    |
| CHM5-40  | 5                              | 24        | 4      | 0.75            | 1.25"x1"  | 71#         | 200                    |
| CHM5-50  | 5                              | 30        | 5      | 1               | 1.25"x1"  | 71#         | 200                    |
| CHM5-60  | 5                              | 37        | 6      | 1.1             | 1.25"x1"  | 71#         | 200                    |
| CHM5-70  | 5                              | 42.5      | 7      | 1.5             | 1.25"x1"  | 80#         | 100                    |
| CHM8-10  | 8                              | 10        | 1      | 0.55            | 1.5"x1.5" | 80#         | 100                    |
| CHM8-20  | 8                              | 18        | 2      | 0.75            | 1.5"x1.5" | 80#         | 100                    |
| CHM8-30  | 8                              | 26        | 3      | 1.1             | 1.5"x1.5" | 80#         | 100                    |
| CHM8-40  | 8                              | 34        | 4      | 1.5             | 1.5"x1.5" | 90#         | 50                     |
| CHM8-50  | 8                              | 42        | 5      | 2.2             | 1.5"x1.5" | 90#         | 50                     |
| CHM10-10 | 10                             | 8         | 1      | 0.75            | 1.5"x1.5" | 80#         | 100                    |
| CHM10-20 | 10                             | 12        | 2      | 0.75            | 1.5"x1.5" | 80#         | 100                    |
| CHM10-30 | 10                             | 22        | 3      | 1.1             | 1.5"x1.5" | 80#         | 100                    |
| CHM10-40 | 10                             | 31.5      | 4      | 1.5             | 1.5"x1.5" | 90#         | 50                     |
| CHM10-50 | 10                             | 39.5      | 5      | 2.2             | 1.5"x1.5" | 90#         | 50                     |
| CHM12-10 | 12                             | 9.5       | 1      | 0.75            | 1.5"x1.5" | 80#         | 100                    |
| CHM12-20 | 12                             | 19.5      | 2      | 1.1             | 1.5"x1.5" | 80#         | 100                    |
| CHM12-30 | 12                             | 29.5      | 3      | 1.85            | 1.5"x1.5" | 90#         | 50                     |
| CHM12-40 | 12                             | 39.5      | 4      | 2.2             | 1.5"x1.5" | 90#         | 50                     |
| CHM12-50 | 12                             | 50        | 5      | 3               | 1.5"x1.5" | 100#        | 50                     |
| CHM16-10 | 16                             | 10        | 1      | 1.1             | 2"x2"     | 80#         | 100                    |
| CHM16-20 | 16                             | 20        | 2      | 1.5             | 2"x2"     | 90#         | 50                     |
| CHM16-30 | 16                             | 30        | 3      | 2.2             | 2"x2"     | 90#         | 50                     |
| CHM16-40 | 16                             | 40        | 4      | 3               | 2"x2"     | 100#        | 50                     |
| CHM20-10 | 20                             | 10.5      | 1      | 1.1             | 2"x2"     | 80#         | 100                    |
| CHM20-20 | 20                             | 20        | 2      | 1.85            | 2"x2"     | 90#         | 50                     |
| CHM20-30 | 20                             | 31.5      | 3      | 3               | 2"x2"     | 100#        | 50                     |
| CHM20-40 | 20                             | 40        | 4      | 4               | 2"x2"     | 100#        | 50                     |