

CPM Series

CENTRIFUGAL PUMP



OPERATING CONDITIONS

- Liquid temperature up to 60°C
- Ambient temperature up to 40°C
- Total suction lift up to 9m
- Continuous duty
- pH: 6.5 to 8.5

PUMP

- Pump Body: Cast Iron
- Impeller: Brass/Techno-polymer/Stainless steel
- Mechanical Seal: Carbon / Ceramic / Stainless Steel
- Front bracket: Cast Iron

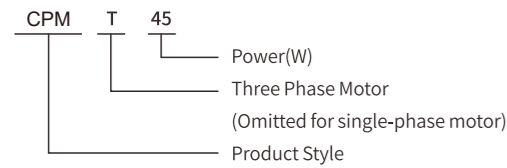
MOTOR

- Heavy Duty Continuous Work
- Motor efficiency: IE1, IE2, IE3
- Motor Housing: Aluminum
- Shaft: AISI304/AISI420/AISI1045
- Insulation: Class B / Class F
- Protection: IPX4
- Cooling: External Ventilation

ADVANTAGES & FEATURES

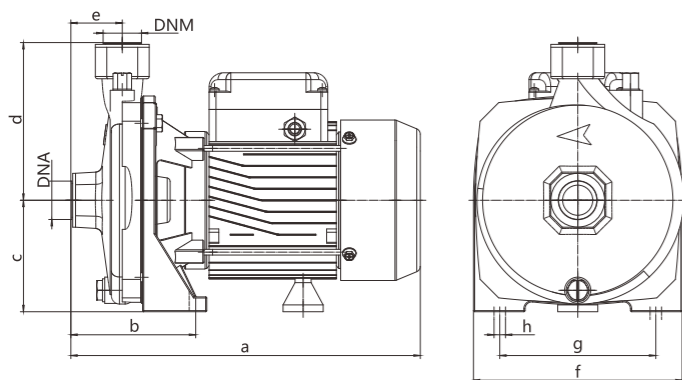
- Single suction centrifugal pump, with high efficiency
- Reliable quality, stable performance
- High head, medium flow rate
- Motor bracket with feet supporting

IDENTIFICATION CODES



TECHNICAL DATA (220~240V/50Hz)

Model		P2		P1		Ampere		Q(m³/h~l/min)									
		kW		kW				Head (m)									
Single phase 220V 50Hz	Three phase 380V 50Hz	HP	kW	1~	3~	1x230 V 50 Hz	3x400 V 50 Hz	0	1.2	2.4	3.6	4.8	5.4	6.6	7.2	7.8	
				1~	3~	1x230 V 50 Hz	3x400 V 50 Hz	0	20	40	60	80	90	110	120	130	
CPM 45	CPMT 45	0.4	0.3	0.51	0.56	2.3	1	19.3	17.4	15	11.3	-	-	-	-	-	
CPM 50	CPMT 50	0.5	0.37	0.59	0.65	2.8	1.1	21.5	20.5	19	17	15	12	-	-	-	
CPM 75	CPMT 75	0.8	0.59	0.9	0.94	4.5	1.7	26.5	25.8	24.5	22.2	19.5	17.5	-	-	-	
CPM 158	CPMT 158	1	0.74	1.16	1.17	5.7	2	33	32.5	31.5	29.6	26.8	25.2	-	-	-	
CPM 160/164	CPMT 160/164	1.5	1.1	1.9	1.8	8.5	3.4	40.5	39.3	38.6	37.5	25.6	34.6	29.5	-	-	
CPM 210/214	CPMT 210/214	2	1.5	2.2	2	10.3	4.2	45.1	44.1	43.3	42.3	40.5	39.2	36.4	33.5	-	
CPM 310/314	CPMT 310/314	3	2.2	2.85	2.67	13.5	5.1	55.9	54.5	53.4	52	50.1	48.9	46.2	44.2	41.9	



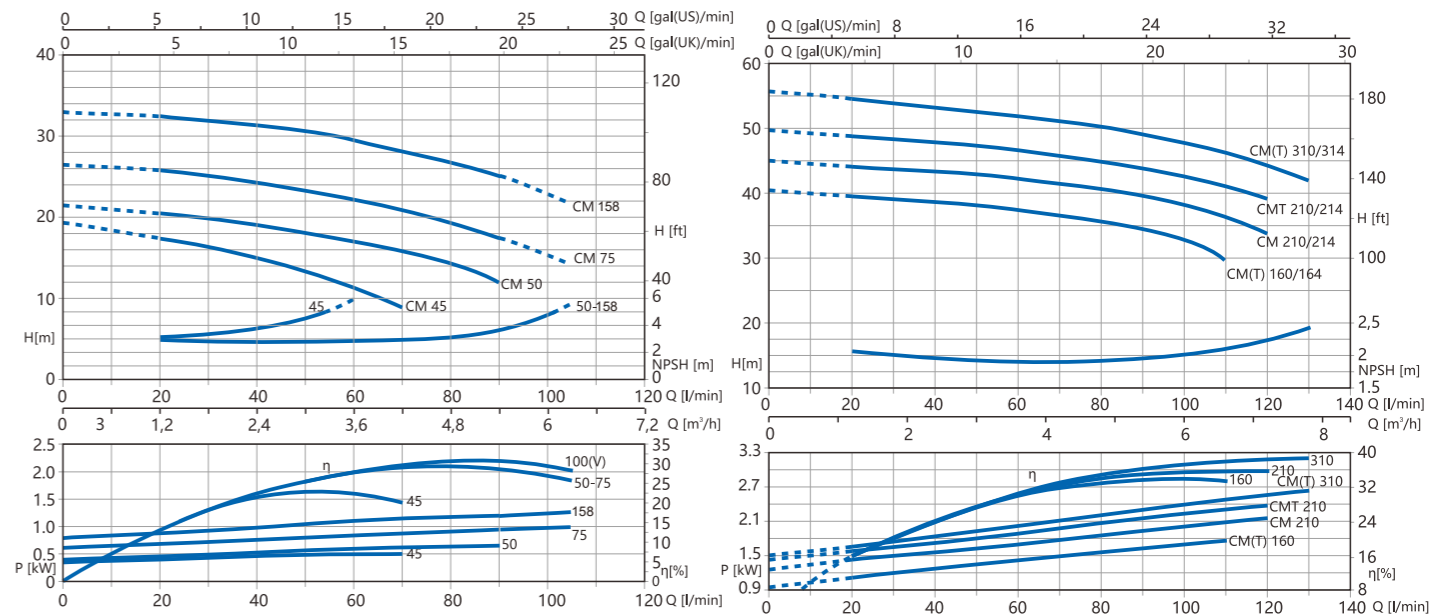
OVERALL & INSTALLATION DIMENSIONS

Model	Dimensions (mm)							
	DNA	DNM	a	b	c	d	g	f
CPM 45	1"	1"	287	100	84	114	113	150
CPM 50	1"	1"	287	100	84	114	113	150
CPM 75	1"	1"	300	107	88	114	113	150
CPM 158	1"	1"	310	110	97	134	138	186
CPM 160	1"	1"	365	116	115	168	181	220
CPM 164	1"1/4G	1"	365	116	115	168	181	220
CPM 210	1"	1"	365	116	115	168	181	220
CPM 214	1"1/4G	1"	365	116	115	168	181	220
CPM 310	1"	1"	365	116	115	168	181	220
CPM 314	1"1/4G	1"	365	116	115	168	181	220

MATERIALS TABLE

NO.	DESCRIPTION	NO.	DESCRIPTION
1	Drain Plug	18	Screw For Terminal Cover
2	"O"Ring For Drain Plug	19	Terminal Cover
3	Filling Plug	20	Terminal Board
4	"O"Ring For Filling Plug	21	Capacitor
5	Pump Body	22	Screw For Cable Presser
6	Impeller Stop Nut	23	Cable Presser
7	Plain Washer	24	Stator With Winding
8	Impeller	25	Motor Case
9	Plain Washer	26	Foot
10	Mechanical Seal	27	Screw For Foot
11	"O"Ring For Pump Body	28	Cable Gland
12	Motor Bracket-Pump Body Screw	29	Adjusting Ring
13	Motor Bracket	30	Motor End Cover
14	Splash Guard	31	Motor Tie-Rod
15	Ball Bearing	32	Fan
16	Key	33	Screw For Fan Cover
17	Shaft And Rotor	34	Fan Cover

HYDRAULIC PERFORMANCE CURVES



PACKAGE INFORMATION

Model	Package dimensions & G.W. (mm)				MOQ
	L	W	H	kg	Kraft carton
CPM 45/50	290	175	225	8.5/9	300
CPM 75	325	200	265	12.7/13.5	200
CPM158	325	200	265	14	200
CPM 160/164	370	240	315	22.5	100
CPM 210/214	370	240	315	23	100
CPM 310/314	370	240	315	M27.5/T23.5	50

