

# DCH Series

## CENTRIFUGAL PUMP



### OPERATING CONDITIONS

- Liquid temperature up to 60°C
- Ambient temperature up to 40°C
- Total suction lift up to 9m
- Continuous duty
- pH: 6.5 to 8.5

### PUMP

- Pump Body: Cast Iron
- Impeller: Brass
- Mechanical Seal: Carbon / Ceramic / Stainless Steel
- Front bracket :cast iron

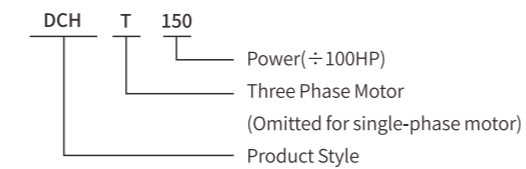
### MOTOR

- Single Phase: IE1,IE2/IE3
- Heavy Duty Continuous Work
- Motor Housing: Aluminum
- Shaft: AISI304/AISI420/AISI1045
- Insulation: Class B / Class F
- Protection: IPX4
- Cooling: External Ventilation

### ADVANTAGES & FEATURES

- High head
- Compact structure, easy to install
- Apply to 2" pipe.

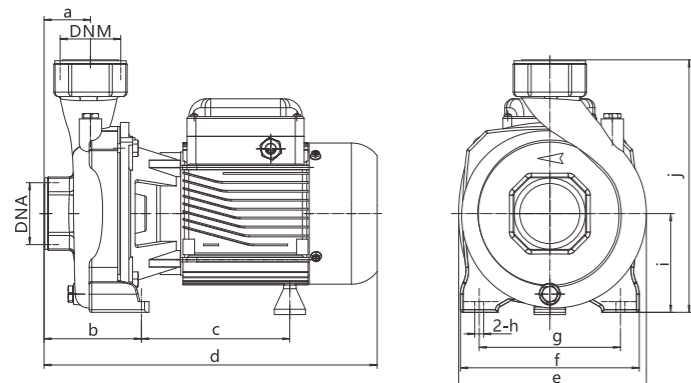
### IDENTIFICATION CODES



### TECHNICAL DATA(220~230V/60Hz)

Model	Single-phase Motor			Q.max L/min	H.max m	Suct.max m	Dimensions (mm)			
	Input max	Output Power					DNA		DNM	
	kW	kW	HP				Inch	mm	Inch	mm
DCH-150	1.90	1.10	1.50	400	25		2"	50	2"	50
DCH-200	2.20	1.50	2.00	450	30	9	2"	50	2"	50
DCH-300	2.50	2.20	3.00	500	33		2"	50	2"	50

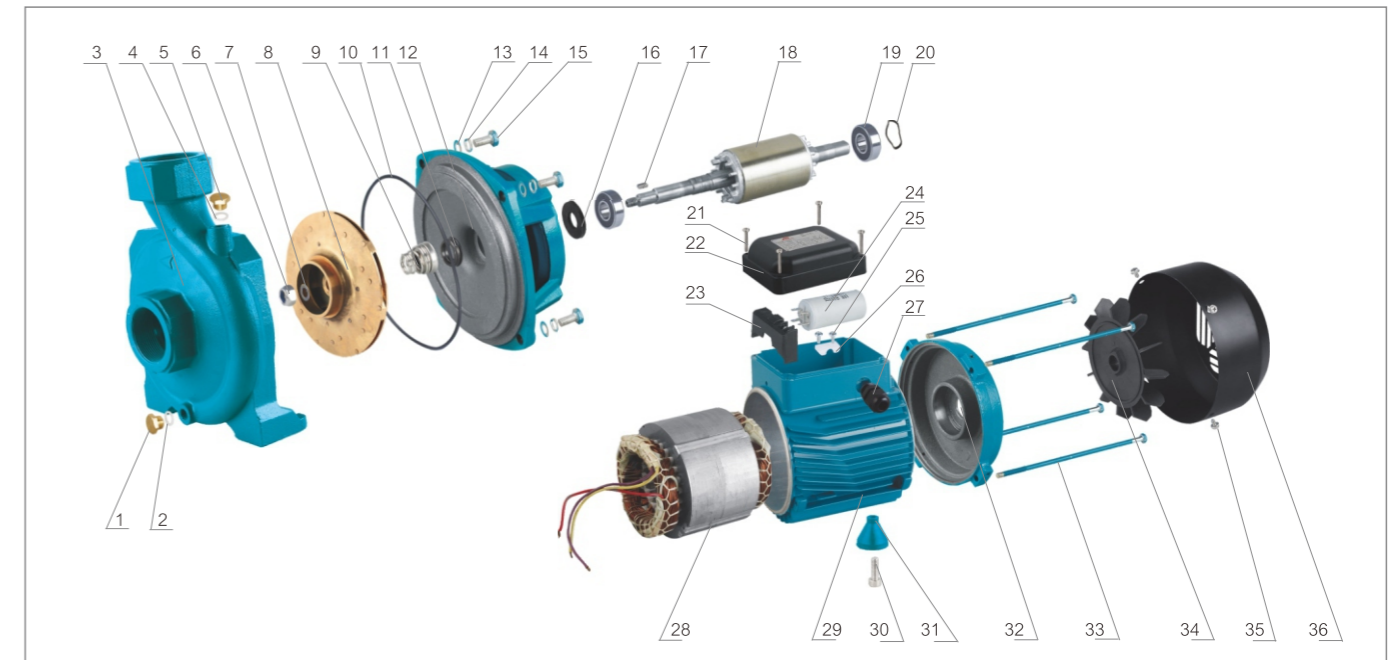
Other voltages and frequencies available on request.



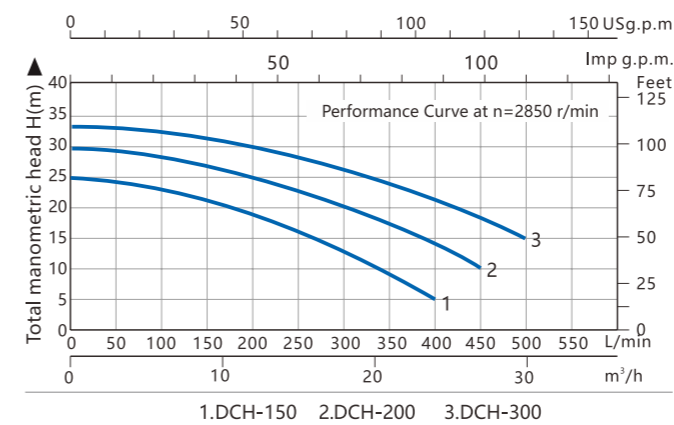
### OVERALL & INSTALLATION DIMENSIONS

Model	DIMENSIONS (mm)									
	a	b	c	d	e	f	g	h	i	j
DCH-150	52	109	170	375	210	200	158	10	110	283
DCH-200	52	109	170	375	210	200	158	10	110	283
DCH-300	52	109	170	375	210	200	158	10	110	283

### MATERIALS TABLE



### HYDRAULIC PERFORMANCE CURVES



NO.	DESCRIPTION	NO.	DESCRIPTION	NO.	DESCRIPTION
1	Drain Plug	18	Shaft And Rotor	35	Screw For Fan Cover
2	"O" Ring For Drain Plug	19	Ball Bearing	36	Fan Cover
3	Pump Body	20	Adjusting Ring		
4	"O" Ring For Filling Plug	21	Screw For Terminal Box		
5	Filling Plug	22	Terminal Cover		
6	Impeller Stop Nut	23	Terminal Board		
7	Plain Washer	24	Capacitor		
8	Impeller	25	Screw For Cable Presser		
9	M-Seal Moving Part	26	Cable Presser		
10	"O" Ring For Pump Body	27	Cable Gland		
11	M-Seal Static Part	28	Stator		
12	Motor Bracket	29	Motor Case		
13	Plain Washer	30	Foot Screw		
14	Spring Washer	31	Foot		
15	Motor Bracket-Pump Body Screw	32	Motor End Cover		
16	Splash Guard	33	Motor Tie-Rod		
17	Key	34	Fan		

### PACKAGE INFORMATION

Model	Package dimensions & G.W. (mm)				MOQ
	L	W	H	kg	Kraft carton pcs
DCH-150	388	245	340	23.1	100
DCH-200	388	245	340	25.2	100
DCH-300	400	250	340	32	50

