

DCS Series

CENTRIFUGAL PUMP



OPERATING CONDITIONS

- Liquid temperature up to 60°C
- Ambient temperature up to 40°C
- Total suction lift up to 9m
- Continuous duty
- pH: 6.5 to 8.5

PUMP

- Pump Body: Cast Iron
- Impeller: Brass / cast iron / stainless steel
- Mechanical Seal: Carbon / Ceramic / Stainless Steel
- Front bracket: Cast iron

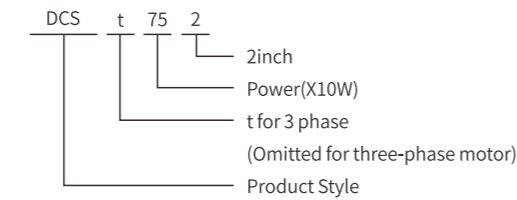
MOTOR

- Heavy Duty Continuous Work
- Motor efficiency: IE1, IE2/IE3
- Motor Housing: Aluminum
- Shaft: AISI304/AISI420/AISI1045
- Insulation: Class B / Class F
- Protection: IPX4
- Cooling: External Ventilation

ADVANTAGES & FEATURES

- Large flow, high efficiency
 - Compact structure, easy to install
- Apply to 1.5", 2", 3", 4" pipe.

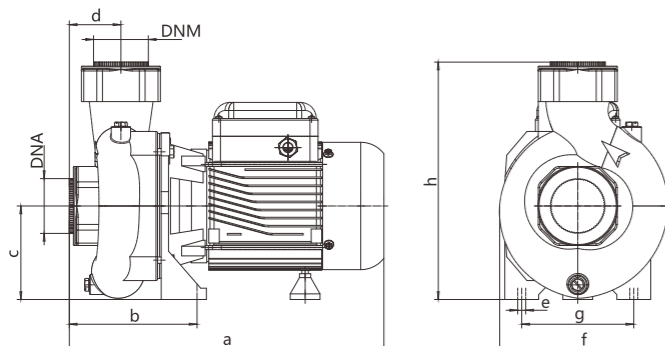
IDENTIFICATION CODES



TECHNICAL DATA(220~230V/60Hz)

Model		P2 nom.	n= 3450/min			Dimensions (mm)			
1~	3~	HP/kW	Q.max L/min	H.max m	Suct.max m	DNA		DNM	
						Inch	mm	Inch	mm
DCS 75/2	DCSt 75/2	0.8/0.60	300	9.5		2"	50	2"	50
DCS 100/2	DCSt 100/2	1/0.75	300	12.6		2"	50	2"	50
DCS 150/2	DCSt 150/2	1.5/1.1	400	12.3		2"	50	2"	50
DCS 200/2	DCSt 200/2	2/1.5	450	13.8		2"	50	2"	50
DCS 200/3	DCSt 200/3	2/1.5	700	14.2	9	3"	80	3"	80
DCS 300/3	DCSt 300/3	3/2.2	950	16		3"	80	3"	80
-	DCSt 400/3	4/3	1000	18		3"	80	3"	80
DCS 450/4	DCSt 450/4	4/3	1800	16		4"	100	4"	100
-	DCSt 550/4	5.5/4	1900	18		4"	100	4"	100

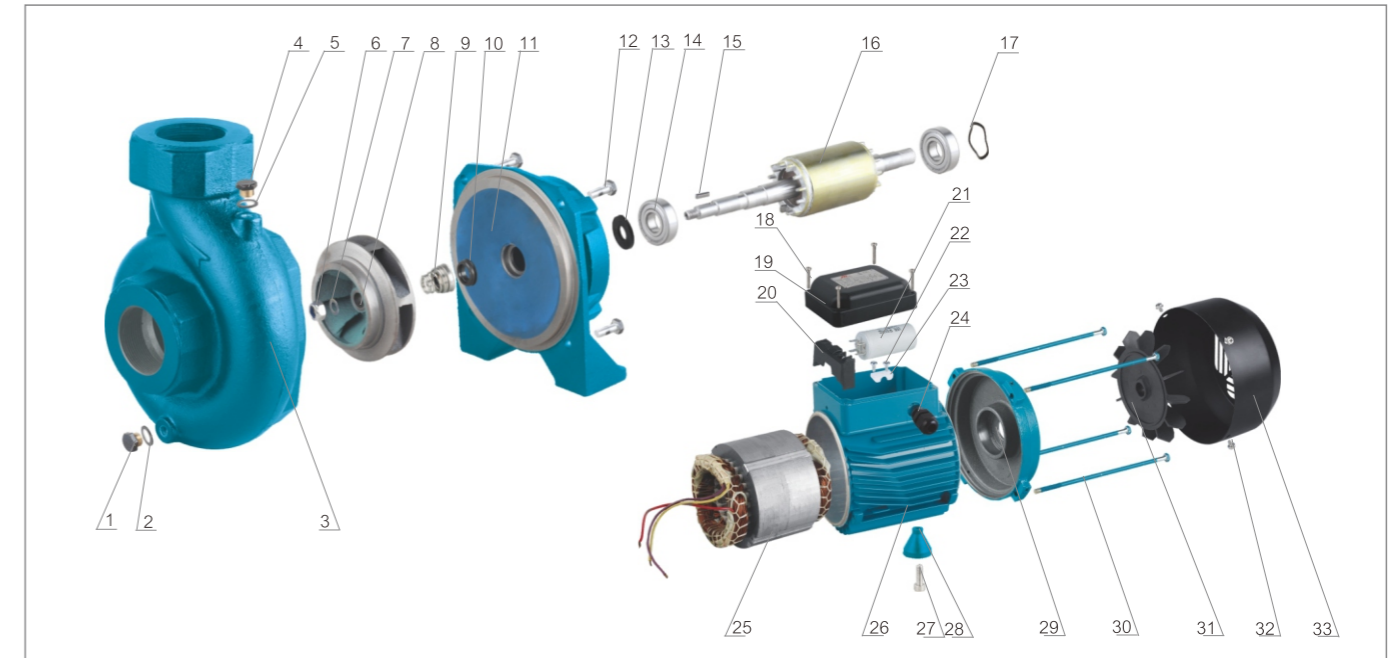
Other voltages and frequencies available on request.



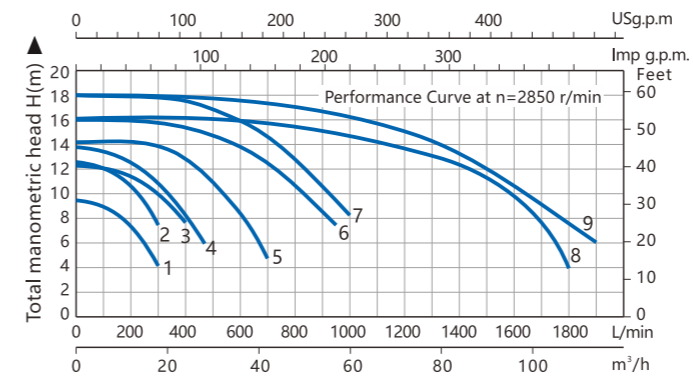
OVERALL & INSTALLATION DIMENSIONS

Model	Dimensions (mm)							
	a	b	c	d	e	f	g	h
DCS 75/100/2	320	127	98	43	10	180	116	248
DCS 150/200/2	386	155	115	53	12	220	181	287
DCS 200/3	386	155	115	53	12	220	181	287
DCS 300/3	457	172	132	82	16	225	140	320
DCS 400/3	490	172	132	82	16	225	140	320
DCS 450/550/4	487	194	132	87	16	225	140	320

MATERIALS TABLE



HYDRAULIC PERFORMANCE CURVES



1. DCS75/2 DCSt75/2
2. DCS100/2 DCSt100/2
3. DCS150/2 DCSt150/2
4. DCS200/2 DCSt200/2
5. DCS200/3 DCSt200/3
6. DCS 300/3 DCSt300/3
7. DCSt 400/3
8. DCS450/4 DCSt 450/4
9. DCSt550/4

NO.	DESCRIPTION	NO.	DESCRIPTION
1	Drain Plug	18	Screw For Terminal Box
2	"O" Ring For Drain Plug	19	Terminal Cover
3	Pump Body	20	Terminal Board
4	Filling Plug	21	Capacitor
5	"O" Ring For Filling Plug	22	Screw For Cable Presser
6	Impeller Stop Nut	23	Cable Presser
7	Plain Washer	24	Cable Gland
8	Impeller	25	Stator With Winding
9	M-Seal Moving Part	26	Motor Housing
10	M-Seal Static Part	27	Foot Screw
11	Motor Bracket	28	Foot
12	Motor Bracket-Pump Body Screw	29	Rear Cover
13	Splash Guard	30	Motor Tie-Rod
14	Ball Bearing	31	Fan
15	Key	32	Screw For Fan Cover
16	Shaft And Rotor	33	Fan Cover
17	Adjusting Ring		

PACKAGE INFORMATION

Model	Package dimensions & G.W. (mm)				MOQ
	L	W	H	kg	Kraft carton pcs
DCS 75/2	350	230	280	14.2	200
DCS 100/2	350	230	280	15.5	200
DCS 150/2	455	280	360	25	100
DCS 200/2	430	285	360	26	100
DCSB 100/2	430	285	360	26	100
DCSB 150/2	455	280	360	25	100
DCS 200/3	430	285	360	25.5	100
DCS 300/3	530	280	350	32	50
DCSt 400/3	530	280	350	33	50
DCSt 450/4	560	300	375	41.1	50
DCSt 550/4	560	300	375	41.1	50