

DNF Series

CENTRIFUGAL PUMP WITH FLANGE



OPERATING CONDITIONS

- Liquid temperature up to 60°C
- Ambient temperature up to 40°C
- Total suction lift up to 9m
- Continuous duty
- pH: 6.5 to 8.5

PUMP

- Pump Body: Cast Iron
- Impeller: Brass
- Mechanical Seal: Carbon / Ceramic / Stainless Steel
- Front bracket :cast iron

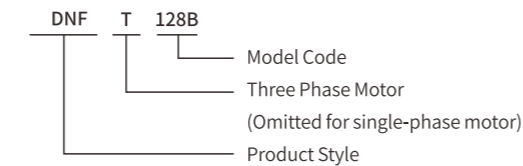
MOTOR

- Single Phase: IE1,IE2/IE3
- Heavy Duty Continuous Work
- Motor Housing: Aluminum
- Shaft: AISI304/AISI420/AISI1045
- Insulation: Class B / Class F
- Protection: IPX4
- Cooling: External Ventilation

ADVANTAGES & FEATURES

- Flange mounting, easy installation
- Compact structure
- Apply to 2" 3" pipe.
- Big flow, small head.

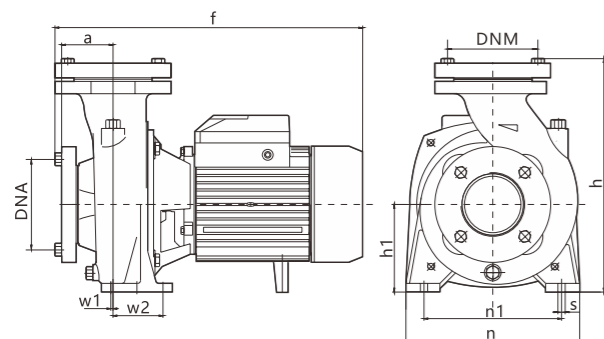
IDENTIFICATION CODES



TECHNICAL DATA(220~230V/60Hz)

Model	Single-phase Motor			n=3450r/min			Dimensions (mm)			
	Input max kW	Output Power kW HP		Q.max L/min	H.max m	Suct.max m	DNA		DNM	
DNF-128B	0.88	0.60	0.8	300	12.5		2"	50	2"	50
DNF-128A	1.10	0.75	1.0	350	13.7		2"	50	2"	50
DNF-129B	1.50	1.10	1.5	400	15		2"	50	2"	50
DNF-129A	2.00	1.50	2.0	450	15	9	2"	50	2"	50
DNF-130C	1.50	1.10	1.5	900	12		3"	80	3"	80
DNF-130B	2.00	1.50	2.0	950	13		3"	80	3"	80
DNF-130A	2.90	2.20	3.0	1000	15		3"	80	3"	80

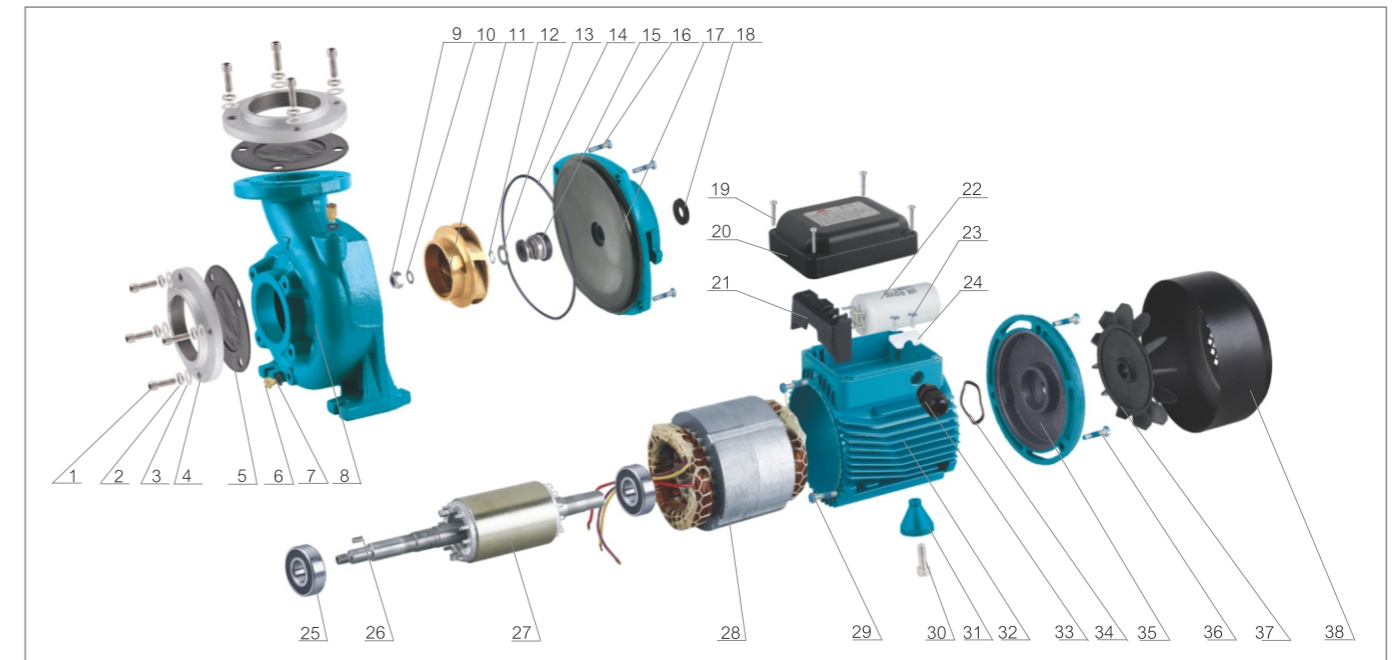
Other voltages and frequencies available on request.



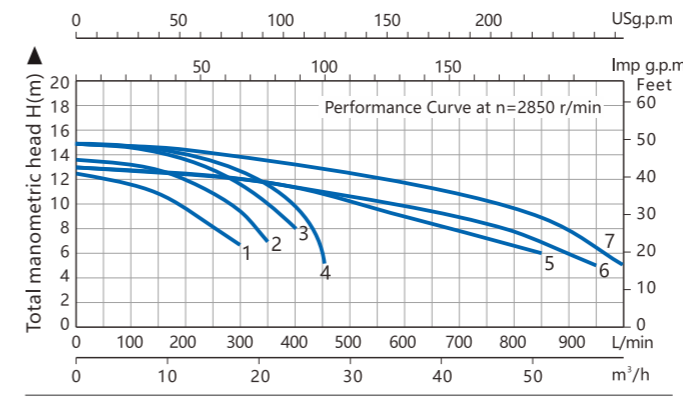
OVERALL & INSTALLATION DIMENSIONS

Model	Dimensions (mm)									
	a	f	h	h1	i	n	n1	w1	w2	s
DNF-128	65	334	271	97	264	196	160	8	60	12
DNF-129	56	372	276	110	269	206	160	1	62	11
DNF-130	71	390	320	120	313	240	190	6	66	12

MATERIALS TABLE



HYDRAULIC PERFORMANCE CURVES



1. DNF-128B 2. DNF-128A 3. DNF-129B 4. DNF-129A 5. DNF-130C
6. DNF-130B 7. DNF-130A

NO. DESCRIPTION	NO. DESCRIPTION	NO. DESCRIPTION
1 Hex Bolt	18 Splash Guard	35 Rear cover
2 Spring Washer	19 Screw For Terminal Box Fixing	36 Rear cover screw
3 Plain Washer	20 Terminal Cover	37 Fan
4 Flange	21 Terminal Board	38 Fan cover
5 Gasket	22 Capacitor	
6 Drain Plug	23 Screw For Cable Presser	
7 O-ring For Drain Plug	24 Cable Presser	
8 Pump Body	25 Ball Bearing	
9 Impeller Stop Nut	26 Key	
10 Plain Washer	27 Shaft And Rotor	
11 Impeller	28 Stator With Winding	
12 Circlip	29 Screw For Motor Bracket	
13 Plain Washer	30 Foot Screw	
14 "o" Ring For Pump Body	31 Foot	
15 Mechanical Seal	32 Motor Case	
16 Motor Bracket-Pump Body Screw	33 Cable Gland	
17 Front Cover	34 Adjusting Ring	

PACKAGE INFORMATION

Model	Package dimensions & G.W. (mm)				MOQ
	L	W	H	kg	Kraft carton pcs
DNF-128B	400	255	300	19	200
DNF-128A	400	255	300	20	100
DNF-129B	470	280	357	32	100
DNF-129A	470	280	357	33	100
DNF-130C	505	280	353	34	100
DNF-130B	505	280	353	35	100
DNF-130A	505	280	353	36	50