

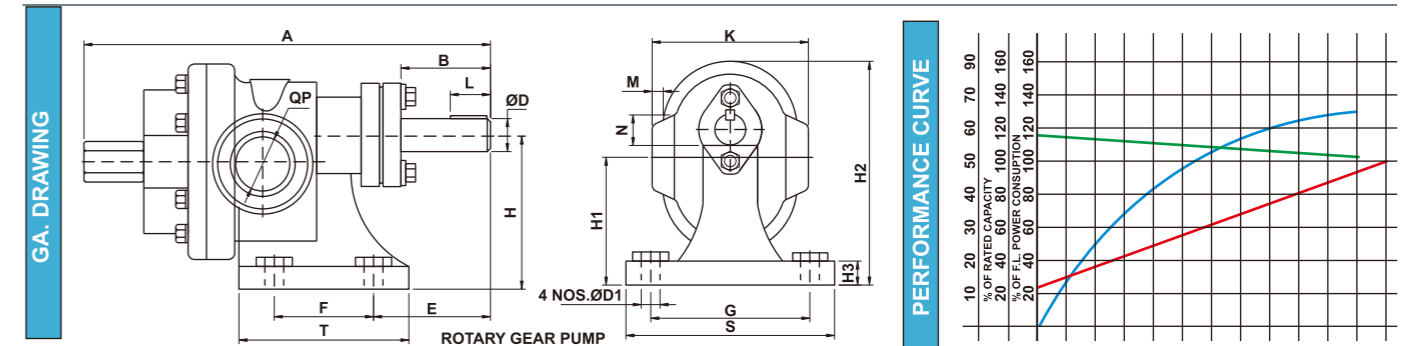


EVERY PURPOSE ROTARY GEAR PUMPS

SILENT FEATURE :

We are very glad to inform that "DAVE-PUMPS" Brand Rotary Gear Pumps are prepared by graded cast iron in economic range with easy to maintain. All "DAVE-PUMPS" Gear Pumps are designed and assembled with closed to avoid this internal losses, thus it consumes less power and operates at higher efficiencies.

PUMP MODEL	INLET OUTLET SIZE BSP	CAPACITY AT 1750 RPM			POWER CONSUMPTION IN BHP AT DIFFERENTIAL PRESSURE OF Kg./Cm ² with 1500 SSU VISCOSITY										WEIGHT OF BARE SHAFT PUMP IN KG.
		LPM	US GPM	M ³ /hr	1	2	3	4	5	6	7	8	9	10	
JK-025	1/4" X 1/4"	5	1.3	0.3	0.25		0.35			0.5					1.40
JK-050	1/2" X 1/2"	20	5.3	1.2	0.50					0.75					2.20
JK-075	3/4" X 3/4"	30	7.92	1.8	0.50			0.75			1.0				4.30
JK-100	1" X 1"	50	13.5	3.0	0.5		0.75		1.0		1.50				5.20
JK-125	1 1/4" X 1 1/4"	75	19.8	4.5	1.0		1.50			2.0		1.50			8.30
JK-150	1 1/2" X 1 1/2"	110	29	6.6	1.5		2.0		3.0		5.0				9.80
JK-200	2" X 2"	225	59.4	13.5	3.0			5.0			7.5				17.5
JK-250	2 1/2" X 2 1/2"	350	92.5	21	5.0		7.5		10		12.5				35.4
JK-300	3" X 3"	500	131.6	30	10.0		12.0		15.0		20.0				54.0



DIMENSION (in mm)	MODEL	SIZE	A	B	E	F	G	S	T	H	H1	H2	H3	L	M	N	ØD	ØD1	K	QP
	JK-025	1/4" X 1/4"	126	21.5	22	35	60	78	60	54	43	78	6	18	4	11	9.5	7	60	1/4" BSP
	JK-050	1/2" X 1/2"	162	38	51	40	70	90	70	63	50	90	6	22	4	13.5	12	8	70	1/2" BSP
	JK-075	3/4" X 3/4"	216	44.5	63.5	45	85	110	80	80	66	115	8	25	5	16	14	10	80	3/4" BSP
	JK-100	1" X 1"	234	55	64.5	50	93	120	95	90	73	128	8	27	5	19	17	10	90	1" BSP
	JK-125	1 1/4" X 1 1/4"	261	60	65	60	105	140	11	100	79	140	10	32	6	22.5	20	12	100	1 1/4" BSP
	JK-150	1 1/2" X 1 1/2"	268	65	80	70	115	150	130	110	88	155	12	35	6	24.5	22	12	108	1 1/2" BSP
	JK-200	2" X 2"	360	84	92	100	140	180	160	132	105	192	15	40	8	28	25	15	142	2" BSP
	JK-250	2 1/2" X 2 1/2"	414	97	110	120	155	200	185	145	114	215	18	45	8	31	28	17	160	2 1/2" BSP
	JK-300	3" X 3"	450	108	120	140	180	235	205	160	126	235	20	50	8	33	30	17	170	3" BSP

SPECIAL FEATURE :

Modified Profile Single Helical Gears, Hardened & Ground Shafts, Self lubricated Sintered bronze Bush Bearing, Effective Built in Pressure Relief Valve. Low Noise, High efficiency, Reliable Low Coast.

APPLICATION :

"DAVE-PUMPS" Rotary Gear Pumps are use full for handling viscous liquids All kinds of Sugar Molasses & Syrups Printing Inks, Paints & Varnish, Vegetable Oils, Flue Oil, application in power plants, potteries, refineries & storage.

AVAILABLE IN 9 SIZE : • Capacity From 5 to 500 LPM • Maximum Working Pressure 10 kg/cm² • Temperature 90°C, Viscosity 10,000 CST • Modified Version for high temp. up to 250°C • Modified Version for Molasses and vacuum Application.

PART	MAC
CASHING	IS 210 GR Fg280 CI GRADE
R.V. COVER	IS 210 GR Fg280 CI GRADE
GLADE COVER	IS 210 GR Fg280 CI GRADE
SHAFTS	SAE 8620
GEARS	EN-8
SEALING	OIL SEAL
BEARING	BRONZE BUSH BEARING
PLUG	BRASS
PLUG CAPS	ALLUMINIUM

* All dimensions are in millimeters. Unless otherwise stated, Specifications are subject to change without prior notice as improvements are made from time to time.

Mfgd. By :

Dealers :



JK - DAVE GEAR PUMP CAST IRON THREAD TYPE

Mfgd. By :

APEX PUMP APEX GEAR PUMP LTD
71-75 Shelton Street, London
WC2H 9JQ UK

APEX PUMP APEX GEAR PUMP LTD
71-75 Shelton Street, London
WC2H 9JQ UK