



DAVE-PUMP

“Till Last Drop”

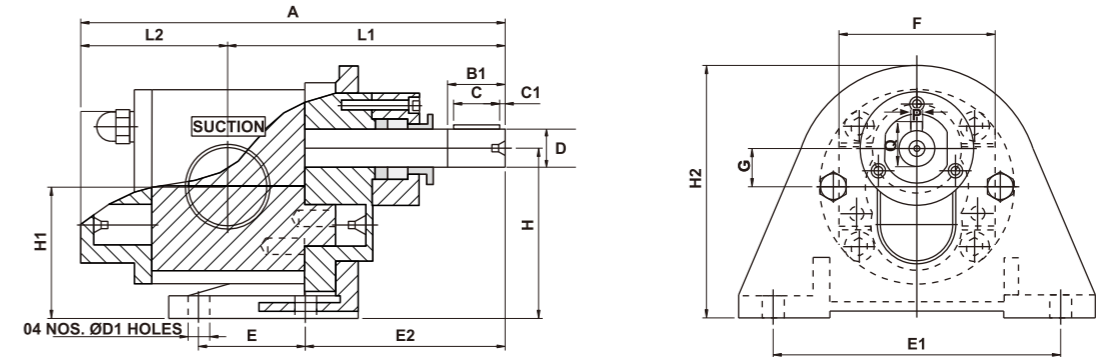


JKSS- DAVE SS GEAR PUMP

Apex Pump, offers “Dave Pump” brand gear pump model “JKSS” which is self priming bi-directional, positive displacement rotary pump in all stainless steel (SS-316) investment casting construction with nitride gear/shaft & dry - teflon coated DU bush bearing requiring no lubrication. These pump in three piece construction are easily cleanable and maintainable. The back cover can simply be removed by four dom nut or the right angle mounting brackets facilitate foot mounting of the pump on base plate with electric motor of appropriate ratings.

MATERIAL OF CONSTRUCTION :

- Pump Body : CF8M - S.S.316
- Front Cover : CF8M - S.S.316
- Back Cover : CF8M - S.S.316
- Gland Cover : CF8M - S.S.316
- R.H. & L.H. : AISI - S.S.316
- Rotor / Stator Shaft : AISI - S.S.316
- Bush Bearings : Teflon coated 'DU'
- Mounting Bracket : C.I.Gr. - 20 IS 210
- Dom Nut : AISI - S.S.316
- Sealing : “Z” Pack teflon
- Packing : Teflon Sheet
- Key for Coupling : AISI - S.S.316



MODEL & POWER CHART :

| PUMP MODEL JKSS | SUCTION & DELIVERY | CAPACITY AT 1750 RPM | | | POWER REQ. | | | Unit H.P. Per Kg. press | PUMP DIMENSION | | | | | | | | | | | | WT. OF PUMP IN KG. | | |
|-----------------|--------------------|----------------------|--------|--------------------|-------------------------|---------|---------|-------------------------|----------------|------------|-----|-----|-----|----|------------------|-----|-----|------|-----------|---------|--------------------|-----|-------|
| | | | | | NO LOAD VISCOUS H.P. at | | | | OVER ALL | | | | | | MOUNTING & SHAFT | | | | | | | | |
| | | LPM | US GPM | M ³ /hr | 200 CST | 500 CST | 750 CST | | A | F G | H2 | L1 | L2 | E | E1 | E2 | H | H1 | D D1 | C C1 | | P Q | B1 |
| 025 | ¼" x ¼" | 8.3 | 2.2 | 0.5 | 0.20 | 0.25 | 0.35 | 0.02 | 129 | 54 12.5 | 101 | 94 | 35 | 40 | 120 | 82 | 63 | 50.5 | 11.5 8 | 17 3 | 4 13 | 25 | 2.00 |
| 040 | ⅜" x ⅜" | 16.6 | 4.4 | 1.0 | 0.35 | 0.40 | 0.55 | 0.04 | 134 | 61 | 112 | 98 | 36 | 50 | 120 | 88 | 71 | 57 | 11.5 | 17 | 4 | 25 | 3.00 |
| 050 | ½" x ½" | 25 | 6.6 | 1.5 | 0.40 | 0.50 | 0.70 | 0.06 | 146 | 14 | 112 | 103 | 41 | 50 | 120 | 88 | 71 | 57 | 8 | 3 | 13 | 25 | 3.50 |
| 075 | ¾" x ¾" | 33.3 | 8.8 | 2.0 | 0.45 | 0.55 | 0.90 | 0.09 | 160 | 72.5 | 128 | 123 | 46 | 55 | 140 | 92 | 90 | 73 | 14 | 25 | 5 | 35 | 4.50 |
| 100 | 1" x 1" | 50 | 13.2 | 3.0 | 0.50 | 0.60 | 1.0 | 0.13 | 177 | 17 | 128 | 115 | 52 | 55 | 140 | 92 | 90 | 73 | 10.5 | 3 | 16 | 35 | 5.00 |
| 125 | 1¼" x 1¼" | 110 | 26.4 | 6.0 | 0.65 | 0.85 | 1.25 | 0.28 | 210 | 90 | 149 | 143 | 66 | 50 | 155 | 111 | 100 | 79 | 18 | 30 | 6 | 38 | 7.00 |
| 150 | 1½" x 1½" | 125 | 33.0 | 7.5 | 0.75 | 0.95 | 1.50 | 0.35 | 225 | 21 | 149 | 151 | 73 | 50 | 155 | 111 | 100 | 79 | 12 | 3 | 20.5 | 38 | 10.50 |
| 200 | 2" x 2" | 150 | 39.6 | 9.0 | 0.90 | 1.15 | 1.75 | 0.45 | 251 | 103 | 167 | 162 | 85 | 70 | 190 | 131 | 112 | 87 | 24 | 30 | 8 | 40 | 20.50 |
| 200 | | 200 | 52.8 | 12.0 | 1.00 | 1.25 | 2.15 | 0.60 | 281 | 25 | 167 | 179 | 97 | 70 | 190 | 131 | 112 | 87 | 14 | 5 | 27 | 40 | 24.00 |
| 250 | 2½" x 2½" | 250 | 66.0 | 15.0 | 1.20 | 1.40 | 2.35 | 0.65 | 299 | 122 | 197 | 206 | 93 | 85 | 200 | 161 | 132 | 102 | 28 | 40 | 8 | 50 | 35.00 |
| 250 | | 300 | 79.25 | 18.0 | 1.40 | 1.65 | 2.50 | 0.77 | 319 | 30 | 197 | 218 | 101 | 85 | 200 | 161 | 132 | 102 | 16 | 5 | 32 | 50 | 40.00 |

SPECIAL NOTE :

For calculating the power requirement at duty point, multiply the duty point pressure with unit horse power & add no load viscous power of appropriate viscosity, provide safety margin before fixing the rating of the prime mover. For higher viscosity further margin may be kept or the manufacturer may be consulted. All sizes of “JKSS” pumps are designed to run at 1440 RPM up to viscosity of 500 CST. For small size pump up to 1” same can be safely run at 1440 RPM even at higher viscosity up to 1000 CST with additional horse power. For sizes above 1” reduce the speed to 960 RPM for viscosity up to 1000 CST. For higher viscous liquids, consult the manufacturer to avoid cavitation & over loading problem.

APPLICATION :

This compact and efficient SS pump can be used for handling viscous food products like Ghee, Butter, Fruit pulp, Vegetable sauce, Starch etc. They are also used in Pharmaceutical industries for handling sugar solution, Glycerine, glycol etc. In chemical industries corrosive viscous chemicals can be easily handled with this pump most effectively. nut or the right angle mounting brackets facilitate foot mounting of the pump on base plate with electric motor of appropriate ratings.

* All dimensions are in millimeters. Unless otherwise stated, Specifications are subject to change without prior notice as improvements are made from time to time.

Mfgd. By :



Mfgd. By :



Dealers :