

YCND Series

CENTRIFUGAL PUMP HIGH EFFICIENCY



OPERATING CONDITIONS

- Liquid temperature up to 60°C
- Ambient temperature up to 40°C
- Continuous duty
- pH: 6.5 to 8.5

PUMP

- Pump Body: Cast Iron
- Impeller: Techno-polymer(P.P.O)
- Mechanical Seal: Carbon / Ceramic / Stainless Steel
- Front bracket :cast iron

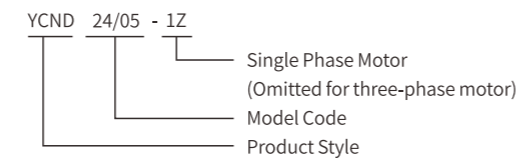
MOTOR

- Single Phase: IE1,IE2/IE3
- Heavy Duty Continuous Work
- Motor Housing: Aluminum
- Shaft: AISI304/AISI420/AISI1045
- Insulation: Class B / Class F
- Protection: Ip22
- Cooling: External Ventilation

ADVANTAGES & FEATURES

- High efficiency
- Built-in cooling fan, more quiet more cool.
- Compact structure
- Motor in NEMA standard
- Running capacitor design easy starting, no headache for centrifugal switch NG

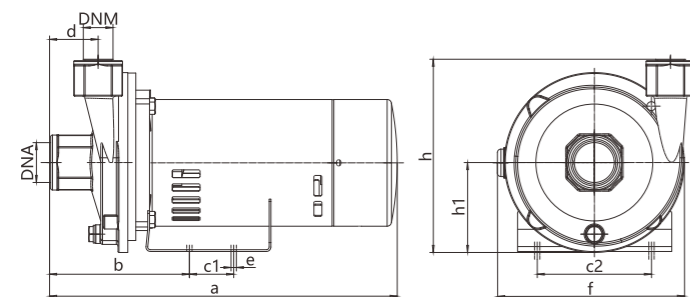
IDENTIFICATION CODES



TECHNICAL DATA (220~240V/60Hz)

Model	Single-phase Motor				n=3450r/min			Dimensions (mm)			
	Input max	Output Power		Current	Q.max	H.max	Suct.max	DNA		DNM	
	kW	kW	HP	A	L/min	m	m	Inch	mm	Inch	mm
YCND-24/05-1Z	0.80	0.37	0.5	3.8	150	22		1.25"	32	1"	25
YCND-24/07-1Z	1.10	0.55	0.75	5.2	150	25		1.25"	32	1"	25
YCND-35/10-1Z	1.50	0.75	1.0	7.2	200	29	9	1.25"	32	1"	25
YCND-35/15-1Z	1.80	1.1	1.5	8.7	300	30		1.5"	40	1.25"	32
YCND-60/20-1Z	2.10	1.5	2.0	10	350	34		1.5"	40	1.25"	32
YCND-60/25-1Z	2.40	1.85	2.5	11.5	350	38		2"	50	1.5"	40

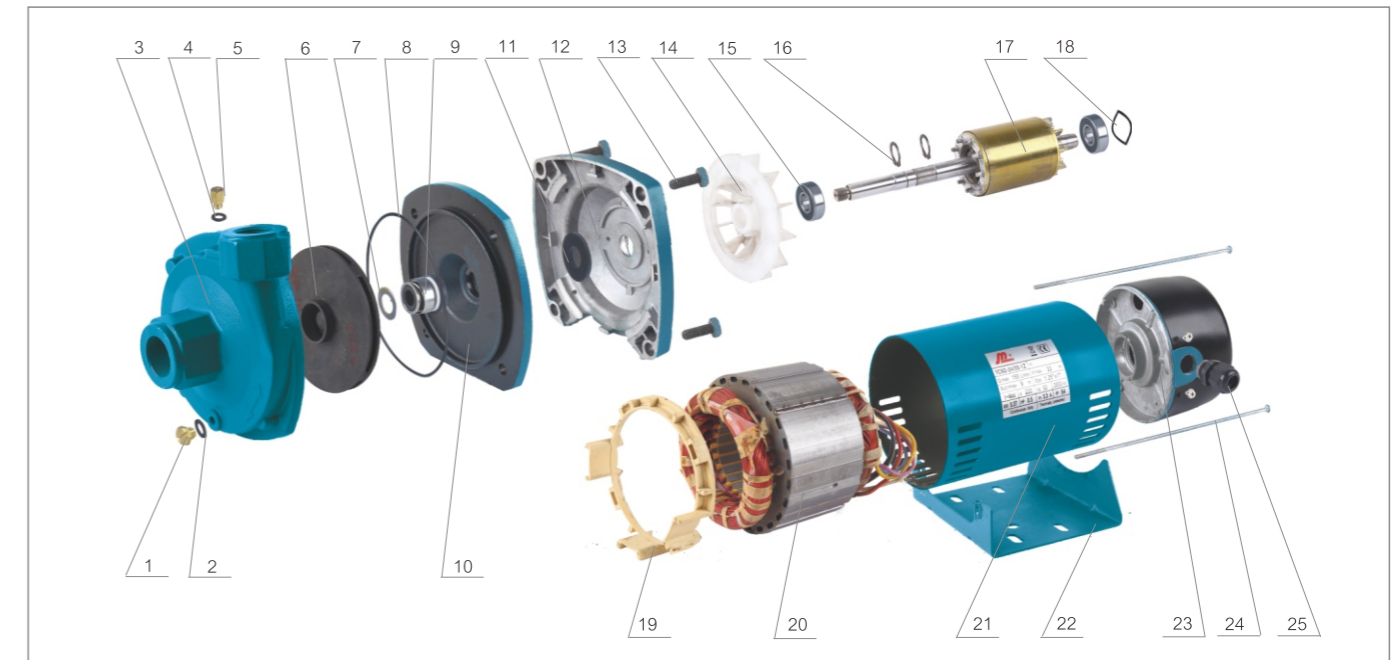
Other voltages and frequencies available on request.



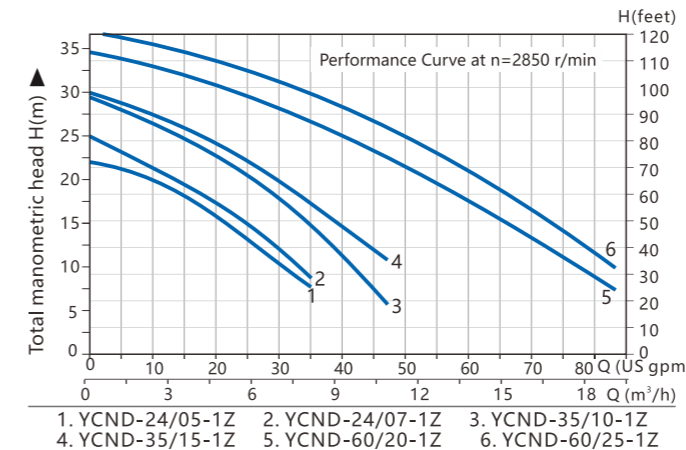
OVERALL & INSTALLATION DIMENSIONS

Model	Dimensions (mm)								
	a	b	c1	c2	d	e	f	h	h1
YCND-24/05-1Z	395	153	50	120	54	8	211	216	100
YCND-24/07-1Z	395	153	50	120	54	8	211	216	100
YCND-35/10-1Z	425	153	50	120	54	8	211	216	100
YCND-35/15-1Z	425	153	50	120	54	8	211	216	100
YCND-60/20-1Z	470	167	50	120	74	8	226	220	100
YCND-60/25-1Z	470	167	50	120	74	8	226	220	100

MATERIALS TABLE



HYDRAULIC PERFORMANCE CURVES



NO.	DESCRIPTION	NO.	DESCRIPTION
1	Drain Plug	16	Circlip
2	*O* Ring For Drain Plug	17	Shaft And Rotor
3	Pump Body	18	Adjusting Ring
4	*O* Ring For Filling Plug	19	Air Deflector
5	Filling Plug	20	Stator
6	Impeller	21	Motor Case
7	Plain Washer	22	Motor Bracket
8	*O* Ring For Pump Body	23	Motor End Cover
9	Mechanical Seal	24	Hex Bolt
10	M-Seal Disk Holder	25	Screw For Fan Cover
11	Splash Guard		
12	Motor Front Bracket		
13	Screw For Terminal Box Fixing		
14	Fan		
15	Ball Bearing		

PACKAGE INFORMATION

Model	Package dimensions & G.W. (mm)				MOQ
	L	W	H	kg	Kraft carton pcs
YCND-24/05-1Z	445	261	266	15.0	300
YCND-24/07-1Z	445	261	266	16.0	200
YCND-35/10-1Z	480	260	305	17.2	200
YCND-35/15-1Z	480	260	305	19.1	200
YCND-60/20-1Z	483*	270*	300*	21.2	100
YCND-60/25-1Z	483*	270*	300*	22.4	100