

YDH Series

HORIZONTAL MULTISTAGE PUMP



OPERATING CONDITIONS

- Liquid temperature: Normal temperature -15°C to +70°C
Hot water -15°C to +105°C
- Maximum ambient temperature: +40°C
- Maximum operating pressure: 8bar
- Maximum inlet pressure is limited by maximum operating pressure

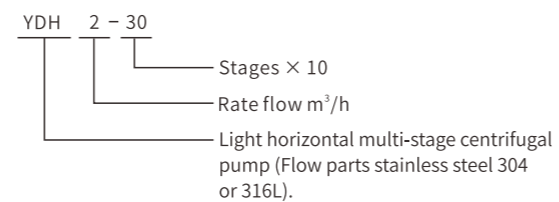
PUMP

- Horizontal multi-stage non-self-priming centrifugal pump with long axis motor.
- The compact structure makes the size small, axial inlet and radial outlet.

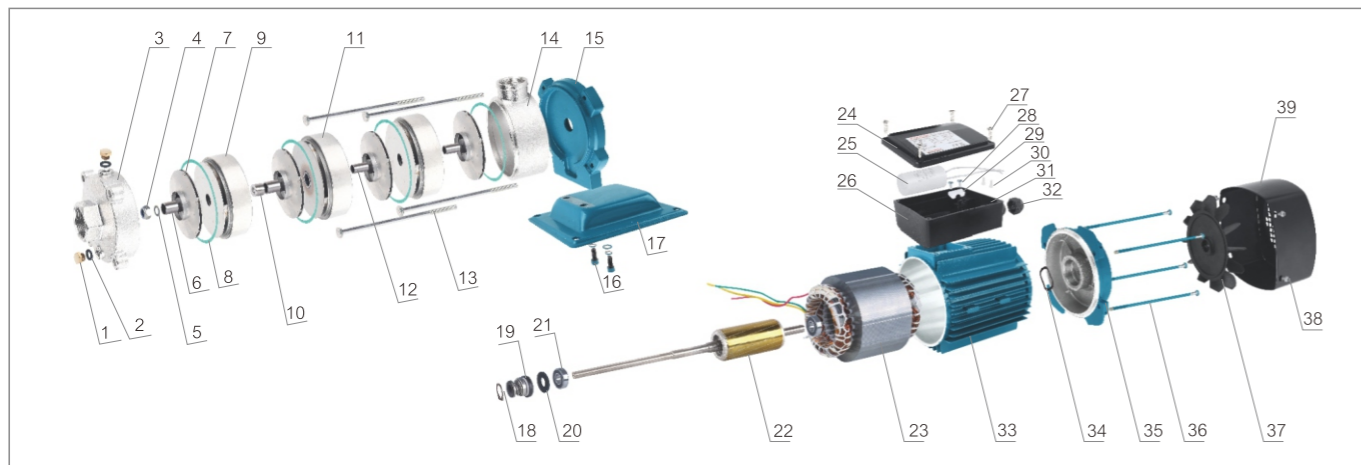
MOTOR

- Motor efficiency: IE1,IE2/IE3
- Motor is fully enclosed, air-cooled two-pole motor.
- Protection class: IP55
- Insulation class: F
- Standard voltage: 50HZ: 1~220-240V
3~220-240V / 380-415V
- Single-phase motor maximum power 2.2kW.

IDENTIFICATION CODES



MATERIALS TABLE



NO.	DESCRIPTION	NO.	DESCRIPTION	NO.	DESCRIPTION	NO.	DESCRIPTION
1	Air plug	11	Support guide vane	21	Bearing	31	Terminal board
2	Gasket for air nail	12	Tungsten steel bushing	22	Rotor with shaft	32	Sleeve
3	Pump cover	13	Bolt 01	23	Stator with windings	33	Motor housing
4	Anti-skid nut	14	Outlet	24	Terminal box cover	34	Adjusting Ring
5	Flat gasket	15	Front cover	25	Capacitor	35	Back cover
6	Impeller gland	16	Bolt 02	26	Terminal box base	36	Motor through Bolt 03
7	Impeller	17	foot support	27	Screw 01	37	Fan
8	Paper gasket	18	Shaft retaining ring	28	Screw 02	38	Screw 04
9	Guide vane	19	Mechanical seal	29	Cable ramp	39	Fan cover
10	Shaft sleeve	20	Water ring	30	Screw 03		

YDH2 TECHNICAL DATA

MOQ for each model / Kraft Carton: 50PCS

Model	Driving Motor P ₂ (kW)	Q(m ³ /h)	1.0	1.5	2.0	2.5	3.0	3.5
YDH2-20	0.37	H (m)	18	16	14	13	11	10
YDH2-30	0.37		27	24	21	20	17	14
YDH2-40	0.55		35	32	28	26	23	17
YDH2-50	0.55		43	40	35	33	28	22
YDH2-60	0.75		50	48	42	38	32	25

YDH4 TECHNICAL DATA

Model	Driving Motor P ₂ (kW)	Q(m ³ /h)	2.0	3.0	4.0	5.0	6.0	7.0
YDH4-20	0.37	H (m)	18	16	15	13	10	7
YDH4-30	0.55		27	25	22	19	15	10
YDH4-40	0.75		36	33	30	26	20	13
YDH4-50	1.0		44	41	38	32	26	20
YDH4-60	1.1		53	50	45	40	33	24

YDH8 TECHNICAL DATA

Model	Driving Motor P ₂ (kW)	Q(m ³ /h)	4.0	6.0	8.0	10	12	14	16
YDH8-10	0.55	H (m)	11	10	9	8	7	6	5
YDH8-20	0.75		22	20	19	18	13	11	8
YDH8-30	1.1		31	29	26	24	20	16	11
YDH8-40	1.5		41	39	37	33	28	23	17
YDH8-50	2.2		51	49	46.5	42	37	30	23
YDH8-60	3.0		62	58	52	48	42	36	30

YDH12 TECHNICAL DATA

Model	Driving Motor P ₂ (kW)	Q(m ³ /h)	7.0	8.0	9.0	10	11	12	13	14	15	16
YDH12-10	0.75	H (m)	12	11.5	11	10.5	10	9.5	9	8	7	6
YDH12-20	1.1		23	22.5	22	21	20.5	19.5	18.5	17	15.5	13
YDH12-30	1.85		35	34.5	33.5	32.5	31	29.5	28	26	23.5	20
YDH12-40	2.2		47	46	45	43.5	41.5	39.5	37.5	35	31.5	27.5
YDH12-50	3.0		60	58	56.5	55	52.5	50	47	44	40	35

YDH16 TECHNICAL DATA

Model	Driving Motor P ₂ (kW)	Q(m ³ /h)	8.0	10	12	14	16	18	20	22	24
YDH16-10	1.0	H (m)	12	11.5	11	10.5	10	9	8	7	6
YDH16-20	1.5		24	23	22	21	20	19	16	14	12
YDH16-30	2.2		38	36	34	33	30	28	26	23	20
YDH16-40	3.0		50	48	46	44	40	38	36	32	28

YDH20 TECHNICAL DATA

Model	Driving Motor P ₂ (kW)	Q(m ³ /h)	10	12	14	16	18	20	22	24	26	28
YDH20-10	1.0	H (m)	13	12.5	12	11.5	11	10.5	10	9	8.5	7.5
YDH20-20	1.85		25	24	23	22	21	20	18	16	14	12
YDH20-30	3.0		39	38	36	35	33	31.5	30	27	24	21
YDH20-40	4.0		50	48	46	44	42	40	36	32	28	24